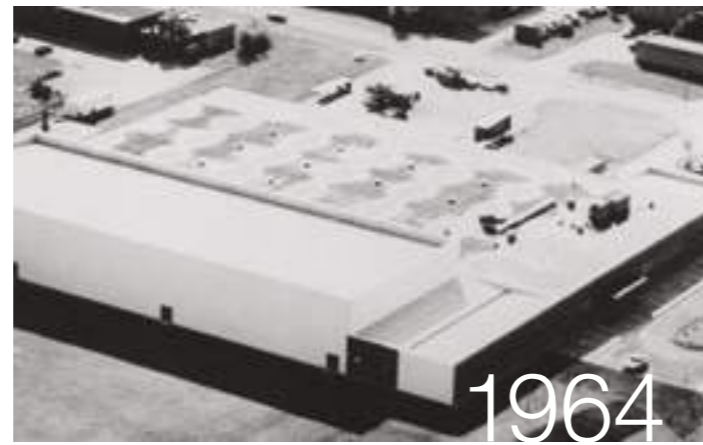


Revolution³⁶⁰®



High Efficiency
Centrifugal Motorised Impellers and Fans

torin-sifan
The Partner of Choice



For over a century...

History

Originally formed over 100 years ago within the USA based Torin Corporation, and established as its UK subsidiary in 1964. Torin-Sifan has developed into an independent market leader in the supply of air movement products, incorporating over 50 years of UK innovation.

Core Focus

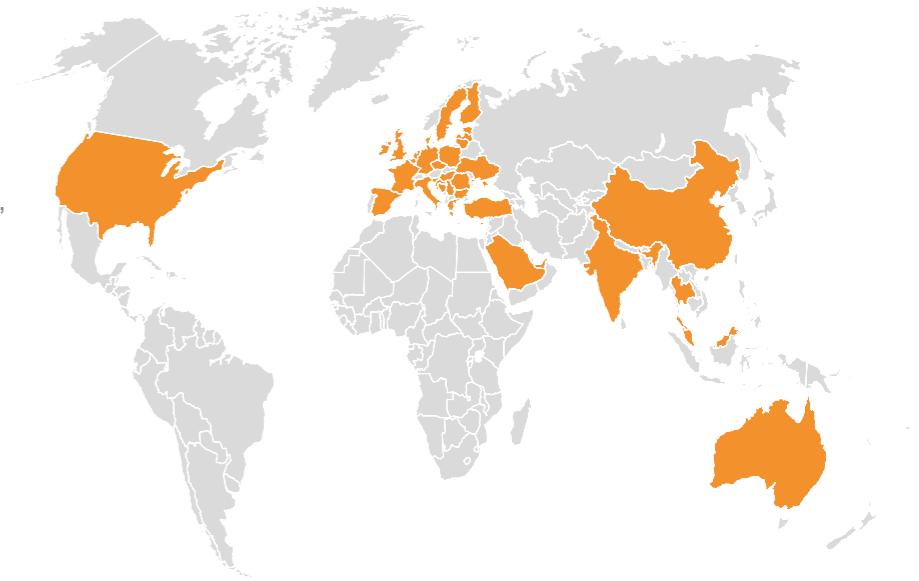
Torin-Sifan is a technology expert in the design, development and manufacture of centrifugal impellers, traditional AC motors and highly efficient Electronically Commutated (EC) motors.

Torin-Sifan products exceed the requirements of European energy saving legislation and importantly this helps our customers to position themselves at the forefront of their markets.



International

Torin-Sifan sales are distributed evenly between the UK and various international markets across Europe, USA and the Asia Pacific region. Our product range has proven to be ideal for a diverse range of applications such as the heating, ventilation, air conditioning, household appliance and IT/telecom sectors amongst others.



Investments

An investment of over £2m saw Torin-Sifan opening its new EC Manufacturing & Technology Centre in the UK. This provides additional capacity to ensure best in-class service levels for the ever increasing demand for high efficiency fans.

During 2016, we launched our latest generation EC motor platform, offering class leading specification, various features and benefits, together with a design which takes into account manufacturing techniques, ensuring high levels of reliability and quality.



Quality and Legislation

Torin-Sifan is an ISO 9001 certified organisation. We recognise that the quality and reliability of our products, combined with great service form the number one set of purchasing criteria for our customers.

Torin-Sifan is also an active member of the UK Trade Association (FETA) and the European Ventilation Industry Association (EVIA).

This ensures that Torin-Sifan is at the forefront of European policy ensuring regulatory challenges set by the EU are commercially and technically realistic for both our business and our customers.

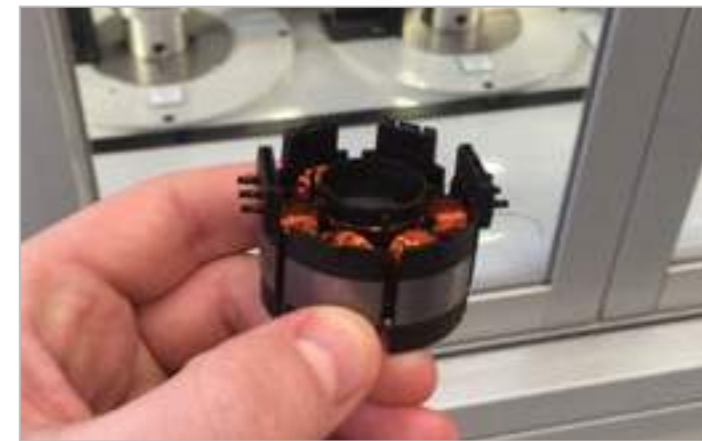
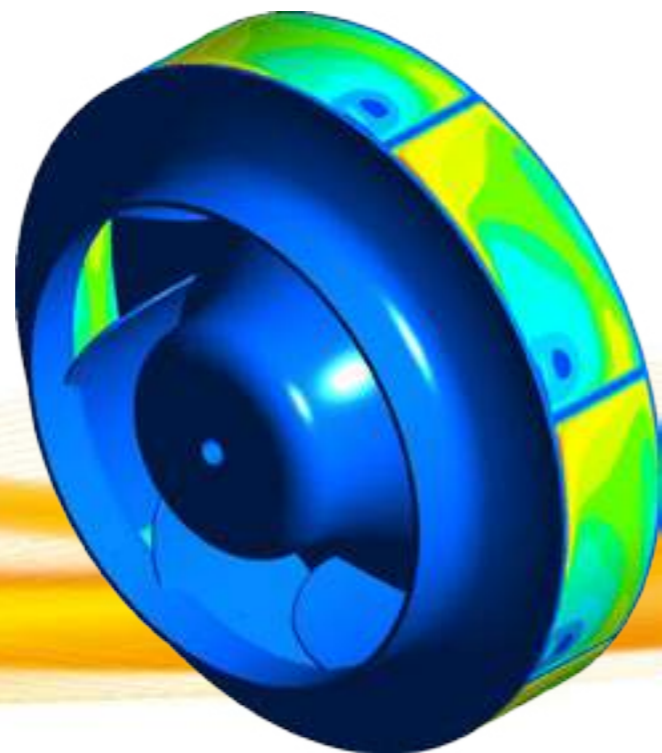


Technology Partners

Torin-Sifan is proud to partner with the customer base on custom designs, co-developments and technology licence agreements. Understanding the needs of customers, legislation that affects the various industries whilst creating value and innovation is at the very heart of business for Torin-Sifan.

Expertise in aerodynamic design, EC motor technology, drive technology, efficiency and acoustics, plus our willingness to share this knowledge has positioned Torin-Sifan as the partner of choice for energy efficient air movement solutions.

This is all underpinned by an extensive team of product development and applications engineers and an excellent research and development facility.



2013



1,000,000



EC Centrifugal Fan Pedigree

Torin-Sifan started manufacturing EC centrifugal motorised impellers and fans in the late 1990's and we celebrated selling our one millionth EC product to the European ventilation industry in 2013. We have since opened our EC Manufacturing & Technology Centre which acts as the centre of excellence for everything EC. This new state of the art facility has benefitted from an investment exceeding £2m and houses the production of highly efficient EC motor, fan and blower products.

The Revolution 360 range utilises the latest three phase technology, ensuring best in class efficiency levels as well as

whisper quiet operation. These are fundamental considerations when selecting your partner for air movement projects. This new range is optimised to provide aerodynamic efficiency and low acoustic noise at the higher static pressures encountered in today's ventilation applications.

Revolution 360 also offers customers significant intelligence and flexibility with the options of offering programmable constant volume, constant pressure or constant speed performance.

EC motors are significantly more efficient when compared to their AC counterparts. This is inherently down to how the motor generates torque. EC motors use permanent magnets

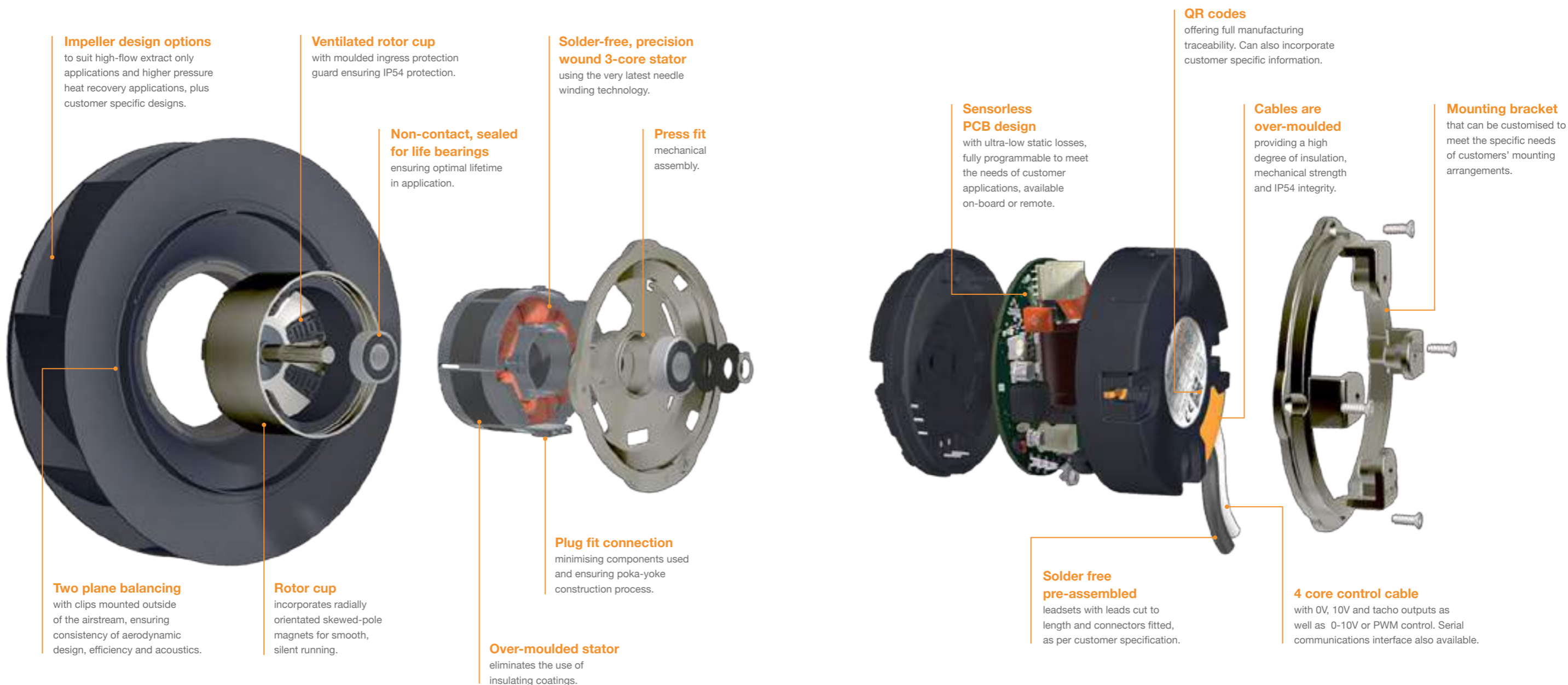


Energy Saving Technology

to create an interactive magnetic field, a process that doesn't consume any energy unlike AC technology which suffers losses through copper windings and aluminium bars.

Class leading design & development

The Revolution 360 development blends optimised performance system components and provides a motorised impeller with best in class performance for residential system applications.



EC Motorised Impellers range summary



Why is Torin-Sifan the partner of choice?

We want our customers to always get the best from their products, so your requirements are paramount to us. You can benefit from a flexible & tailored set of services on offer.

Current examples include:

- Specific housing designs, including material thickness, mounting-hole locations and flange design
- Lead lengths cut to size and your specified plug fitted
- External or on-board electronics options
- Performance optimisation, including impeller and electronics design
- Licensing agreements for electronic circuitry
- Production and balancing of fans within your own product assemblies

Feel free to ask about our value-add-services if you don't see what you require.



“Most importantly, our expertise is centred on understanding a fan’s specific performance in each application, however complex that application is”

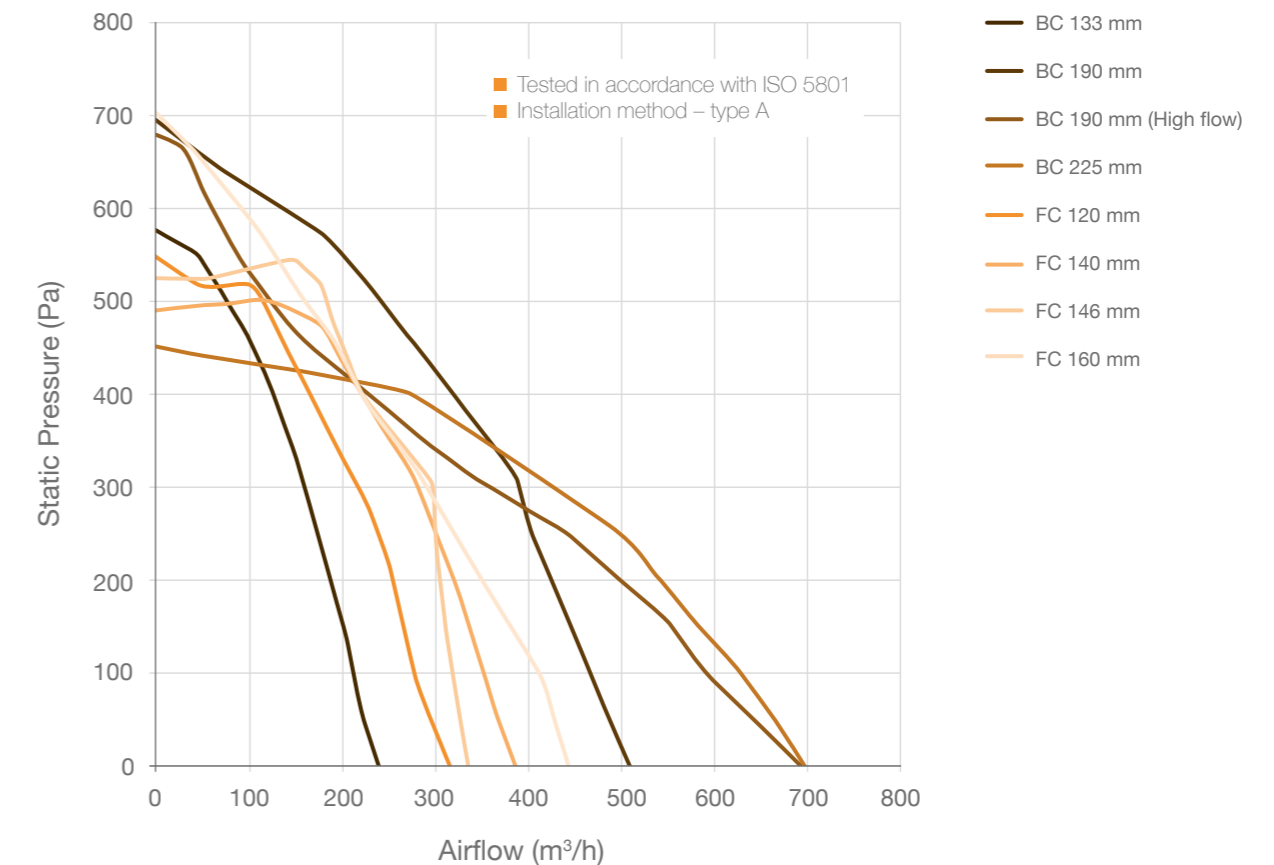
Typical Specifications & Features

Technical Data	
Supply Voltage (rms)	198 to 264 V
Supply Phase	Single
Supply Frequency Range	50/60 Hz
Control Input	0-10 V / PWM or PWM only
Control Outputs	10 V (3 mA), Tachometer
Dielectric Strength	1.5 kV DC
Leakage Current	≤3.5 mA
Protection	Locked rotor
Inrush Current at Power-on	5.5 A ac, ½ cycle
Motor Protection	IP54
Motor Insulation Class	B
Operational Ambient Temperature Range	-20 °C to + 60 °C (+50 °C for double-inlet fans)
Material	<ul style="list-style-type: none"> • Motor Housing – Die Cast Aluminium • Rotor Cup - Passivated Mild Steel • Electronics Pod - Plastic ABS / PC • Impeller - plastic PA6, glass-fibre reinforced or galvanised steel
Motor Mounting (Type Dependent)	4 holes M4 x 0.7-6h x 7.0 deep, equi spaced on a 58.0 PCD. Max screw length 5 mm. Additional mounting (forward-curved impellers only) 4 holes M4 x 0.7-6h equi-spaced on a 105.0 PCD
Bearings	Sealed and maintenance free
Balance grade	G2.5
Approvals	CE
EMC	
Emission	EN61000-6-3
Immunity	EN61000-6-2
Harmonics	EN61000-3-2/3
LVD	
Electrical Safety	EN60335-1, EN60335-2-80

Technical Data							
Supply Voltage (rms)	198 to 264 V	198 to 264 V	198 to 264 V	198 to 264 V	198 to 264 V	198 to 264 V	198 to 264 V
Max Airflow	232 m³/h	511 m³/h	690 m³/h	704 m³/h	314 m³/h	390 m³/h	442 m³/h
Max Current	0.4 A	0.8 A	0.73 A	0.8 A	0.6 A	0.81 A	0.80 A
Max Input Power	45 W	89 W	76 W	85 W	59 W	85 W	82 W
Max Speed	5050 rpm	3750 rpm	3750 rpm	2525 rpm	3600 rpm	3000 rpm	3000 rpm
ErP Efficiency Rating (FMEG)*	52	60	60	64	56	52	54
IP Rating	54	54	54	54	54	54	54
Motor Insulation Class	B	B	B	B	B	B	B
Operational Ambient Temperature Range	-20 °C to + 60 °C	-20 °C to + 60 °C	-20 °C to + 60 °C	-20 °C to + 60 °C	-20 °C to + 60 °C	-20 °C to + 60 °C	-20 °C to + 50 °C
Weight	0.56 kg	0.95 kg	0.95 kg	1.35 kg	0.91 kg	1.07 kg	1.17 kg
Standard Direction of Rotation	Clockwise	Clockwise	Clockwise	Clockwise	Clockwise	Clockwise	Clockwise
Number of Blades	5	9	7	9	34	38	38

* All products listed are exempt from the scope of the ErP Legislation (Peak power <125 W).

Consolidated Graph - High Efficiency Motorised Impellers - Test Supply 230 V 50 Hz



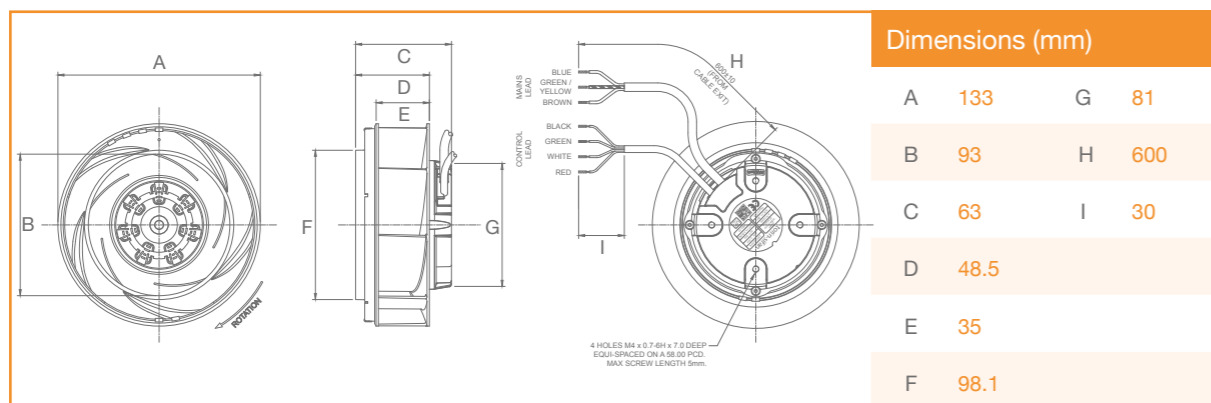
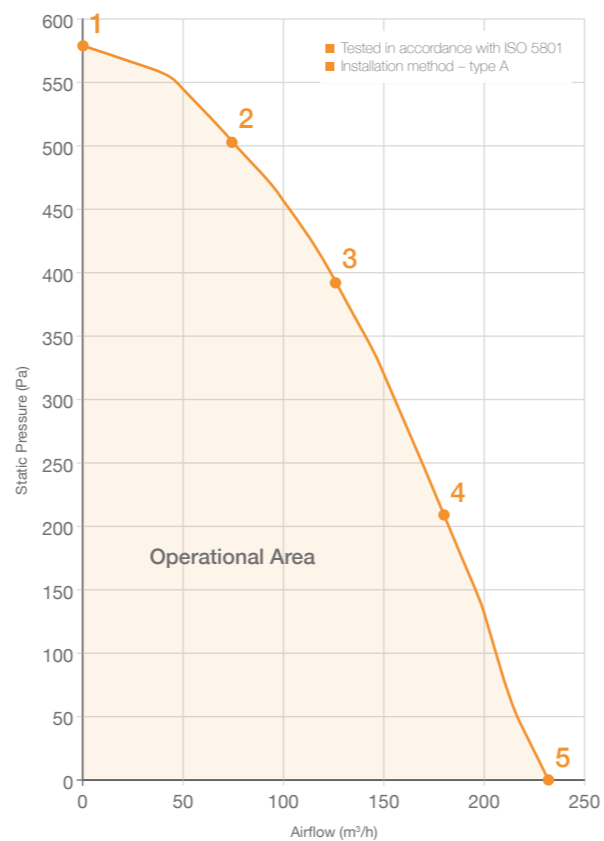


EC High Efficiency motorised impellers

Backward-curved 133 mm

Technical Data	
Supply Voltage (rms)	198 to 264 V
Max Airflow	232 m ³ /h
Max Current	0.4 A
Max Input Power	45 W
Max Speed	5050 rpm
ErP Efficiency Rating (FMEG)	52
IP Rating	54
Motor Insulation Class	B
Temperature Range	-20 °C to +60 °C
Weight	0.56 kg
Direction of Rotation	Clockwise
Number of Blades	5

Performance Data					
Data point	Static Pressure (Pa)	Airflow (m ³ /h)	Current (A)	Speed (rpm)	Power (W)
1	579	0	0.25	5050	32
2	503	74	0.37	5050	44
3	394	127	0.38	5050	45
4	210	180	0.32	5050	37
5	0	232	0.23	5050	27

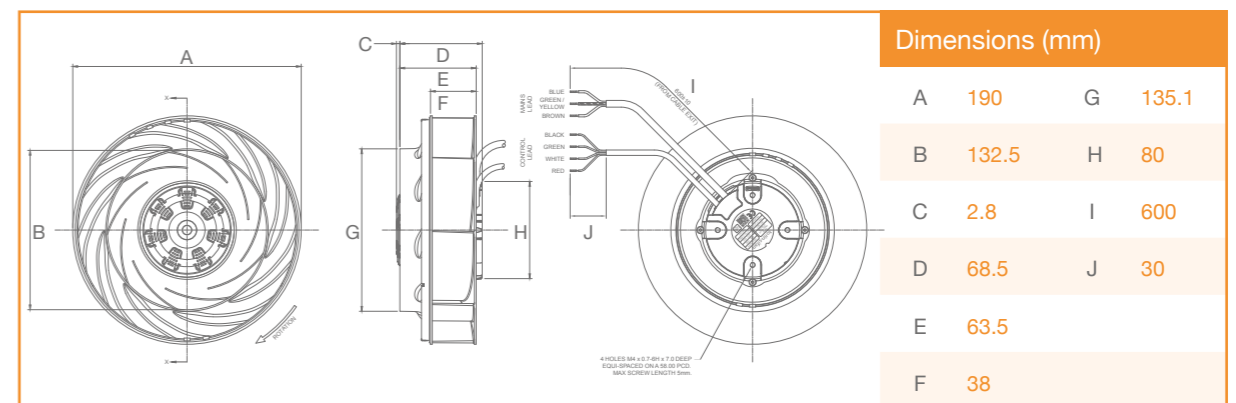
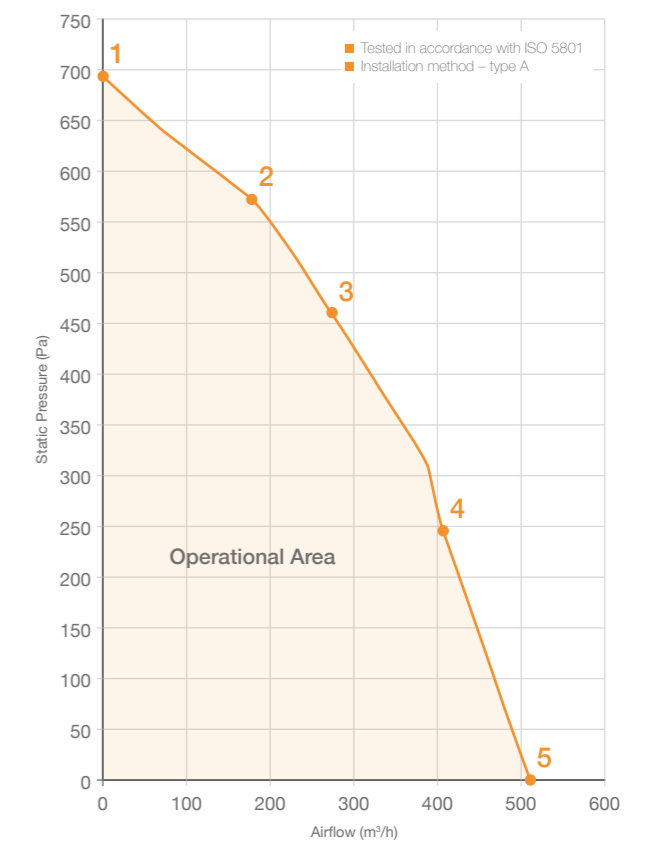


EC High Efficiency motorised impellers

Backward-curved 190 mm

Technical Data	
Supply Voltage (rms)	198 to 264 V
Max Airflow	511 m ³ /h
Max Current	0.8 A
Max Input Power	89 W
Max Speed	3750 rps
ErP Efficiency Rating (FMEG)	60
IP Rating	54
Motor Insulation Class	B
Temperature Range	-20 °C to +60 °C
Weight	0.95 kg
Direction of Rotation	Clockwise
Number of Blades	9

Performance Data					
Data point	Static Pressure (Pa)	Airflow (m ³ /h)	Current (A)	Speed (rpm)	Power (W)
1	693	0	0.53	3754	54
2	572	178	0.76	3754	84
3	461	274	0.79	3754	89
4	246	407	0.70	3755	75
5	0	511	0.49	3753	48



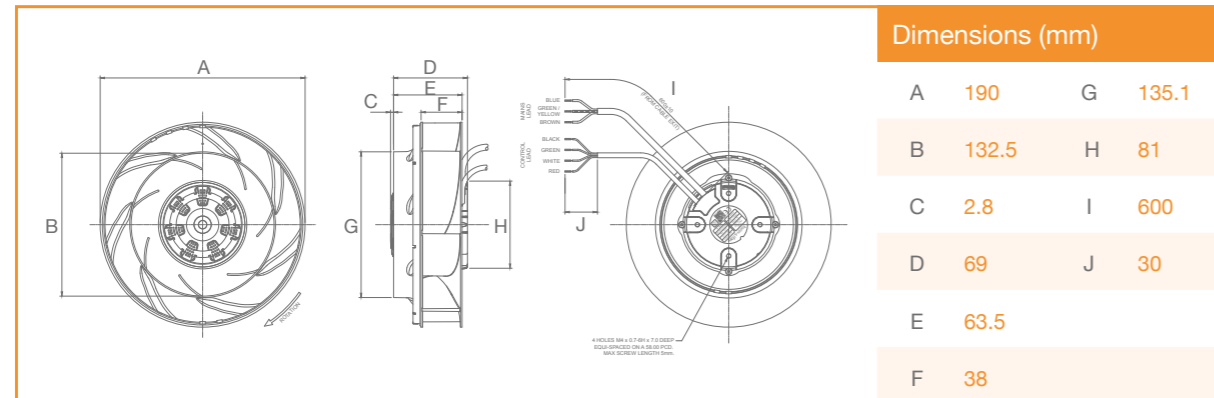
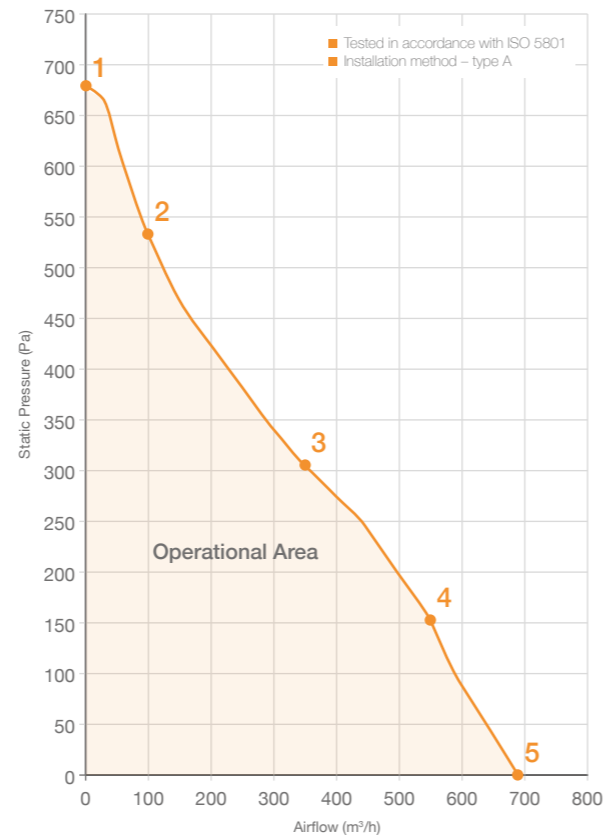


EC High Efficiency motorised impellers

Backward-curved 190 mm (High flow)

Technical Data	
Supply Voltage (rms)	198 to 264 V
Max Airflow	690 m ³ /h
Max Current	0.73 A
Max Input Power	76 W
Max Speed	3750 rpm
ErP Efficiency Rating (FMEG)	60
IP Rating	54
Motor Insulation Class	B
Temperature Range	-20 °C to +60 °C
Weight	0.95 kg
Direction of Rotation	Clockwise
Number of Blades	7

Performance Data					
Data point	Static Pressure (Pa)	Airflow (m ³ /h)	Current (A)	Speed (rpm)	Power (W)
1	680	0	0.65	3750	65
2	533	99	0.71	3412	73
3	306	350	0.73	3066	76
4	153	549	0.73	3168	75
5	0	690	0.72	3340	74

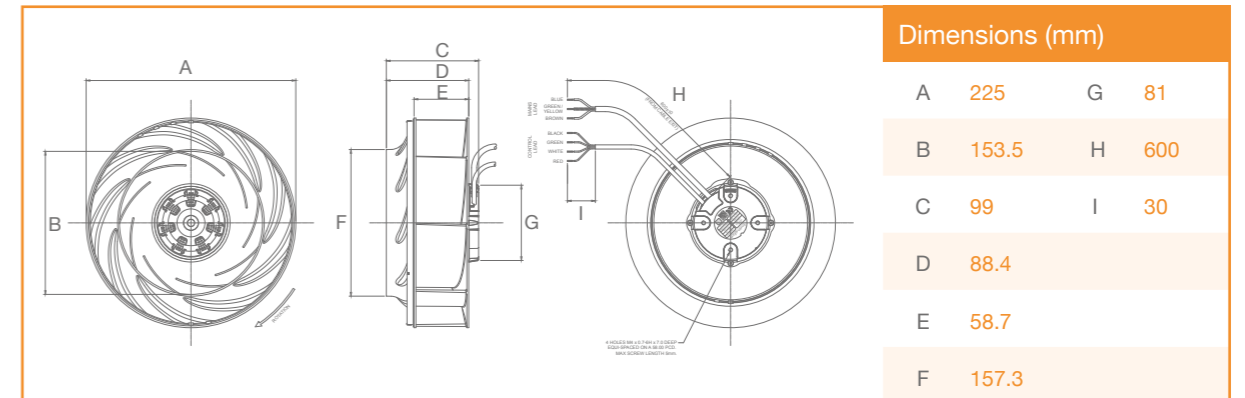
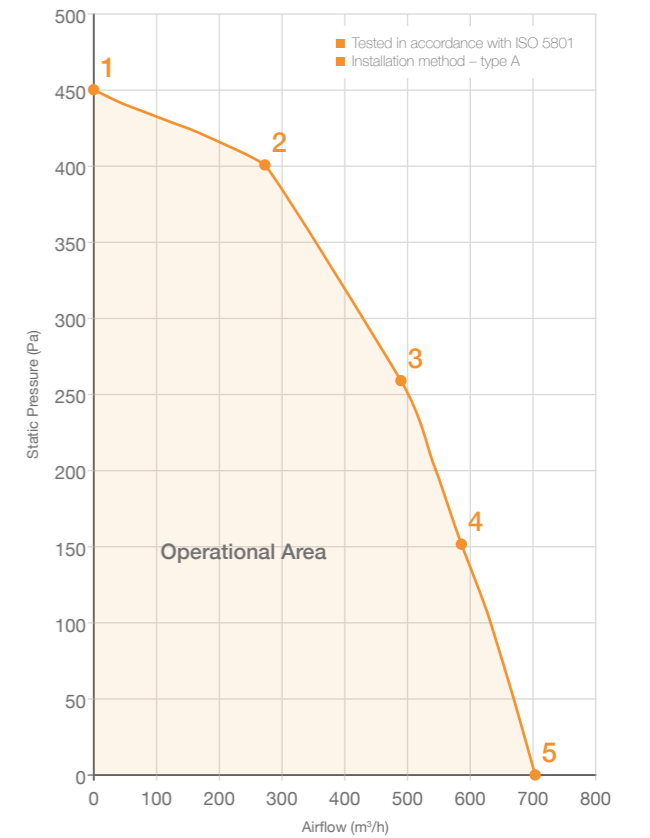


EC High Efficiency motorised impellers

Backward-curved 225 mm

Technical Data	
Supply Voltage (rms)	198 to 264 V
Max Airflow	704 m ³ /h
Max Current	0.8 A
Max Input Power	85 W
Max Speed	2525 rpm
ErP Efficiency Rating (FMEG)	64
IP Rating	54
Motor Insulation Class	B
Temperature Range	-20 °C to +60 °C
Weight	1.35 kg
Direction of Rotation	Clockwise
Number of Blades	9

Performance Data					
Data point	Static Pressure (Pa)	Airflow (m ³ /h)	Current (A)	Speed (rpm)	Power (W)
1	450	0	0.44	2521	43
2	401	273	0.74	2519	81
3	259	489	0.75	2518	83
4	152	586	0.67	2519	71
5	0	704	0.50	2520	50



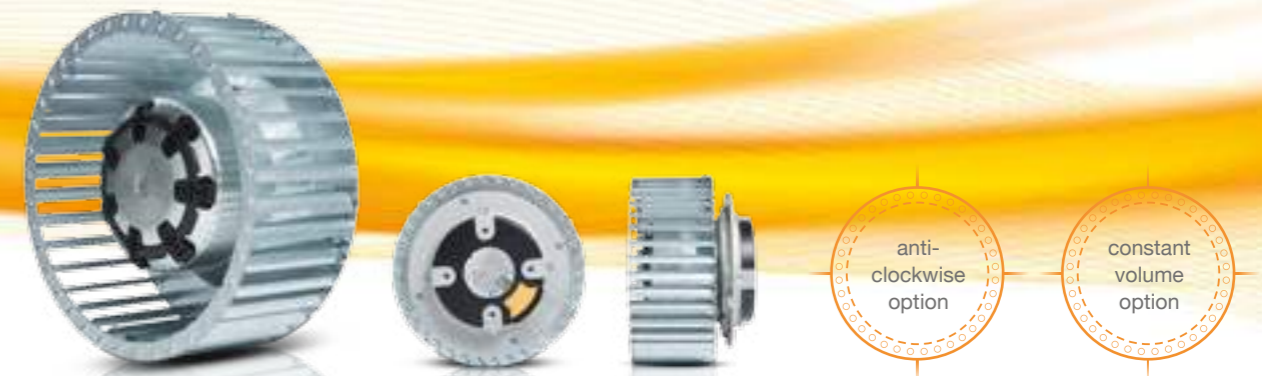
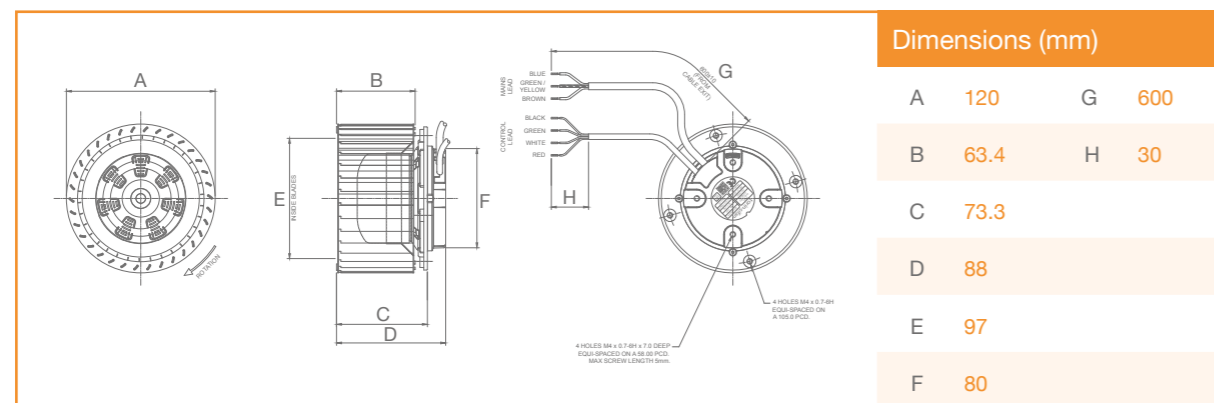
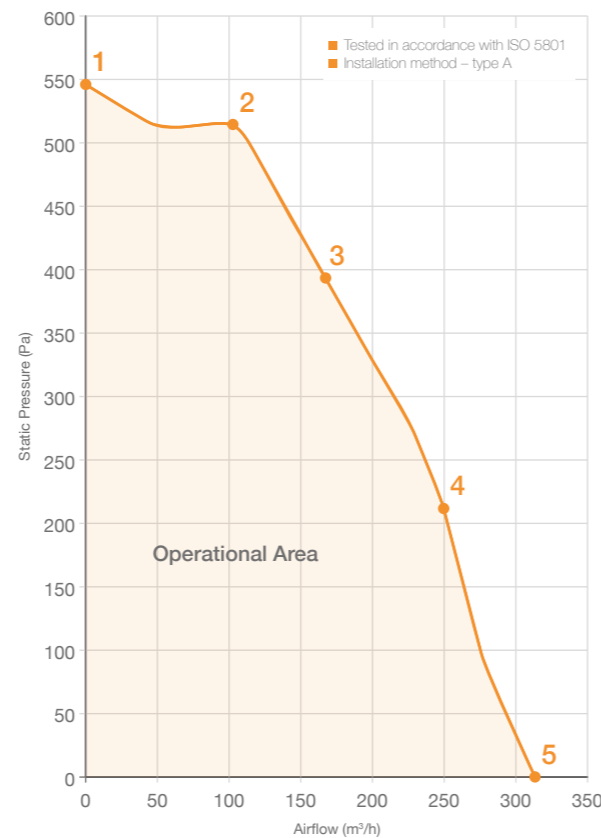


EC High Efficiency motorised impellers

Forward-curved 120 mm

Technical Data	
Supply Voltage (rms)	198 to 264 V
Max Airflow	314 m ³ /h
Max Current	0.6 A
Max Input Power	59 W
Max Speed	3600 rpm
ErP Efficiency Rating (FMEG)	56
IP Rating	54
Motor Insulation Class	B
Temperature Range	-20 °C to +60 °C
Weight	0.91 kg
Direction of Rotation	Clockwise
Number of Blades	34

Performance Data					
Data point	Static Pressure (Pa)	Airflow (m ³ /h)	Current (A)	Speed (rpm)	Power (W)
1	546	0	0.39	3609	36
2	515	103	0.50	3605	50
3	394	168	0.52	3135	52
4	211	250	0.55	2557	55
5	0	314	0.58	2184	59

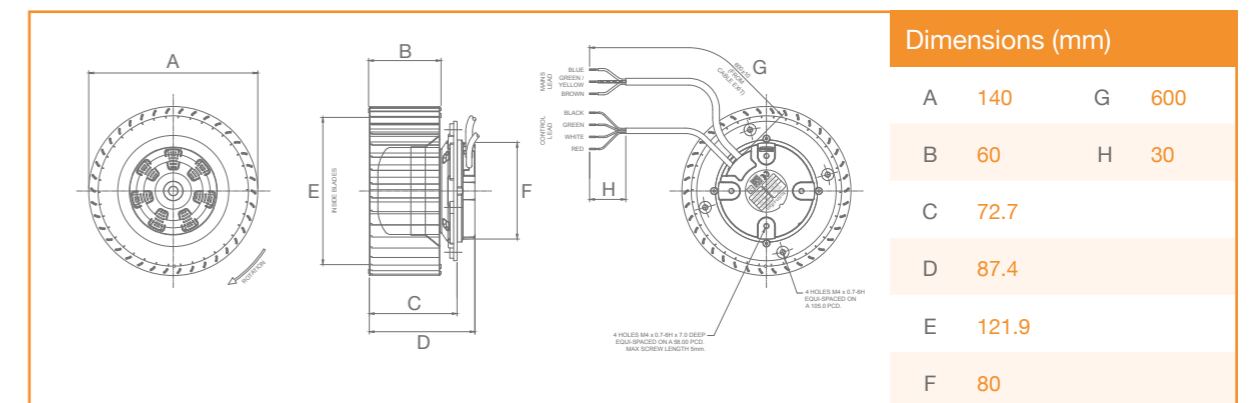
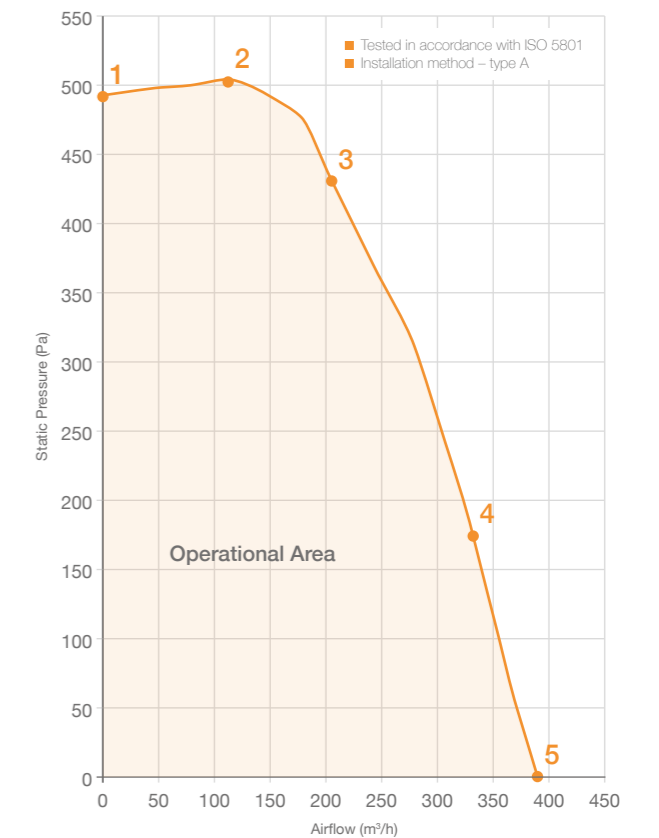


EC High Efficiency motorised impellers

Forward-curved 140 mm

Technical Data	
Supply Voltage (rms)	198 to 264 V
Max Airflow	390 m ³ /h
Max Current	0.81 A
Max Input Power	85 W
Max Speed	3000 rpm
ErP Efficiency Rating (FMEG)	52
IP Rating	54
Motor Insulation Class	B
Temperature Range	-20 °C to +60 °C
Weight	1.07 kg
Direction of Rotation	Clockwise
Number of Blades	38

Performance Data					
Data point	Static Pressure (Pa)	Airflow (m ³ /h)	Current (A)	Speed (rpm)	Power (W)
1	491	0	0.43	3004	37
2	503	113	0.60	3003	58
3	431	206	0.74	2878	76
4	174	332	0.79	2321	82
5	0	390	0.81	2137	85

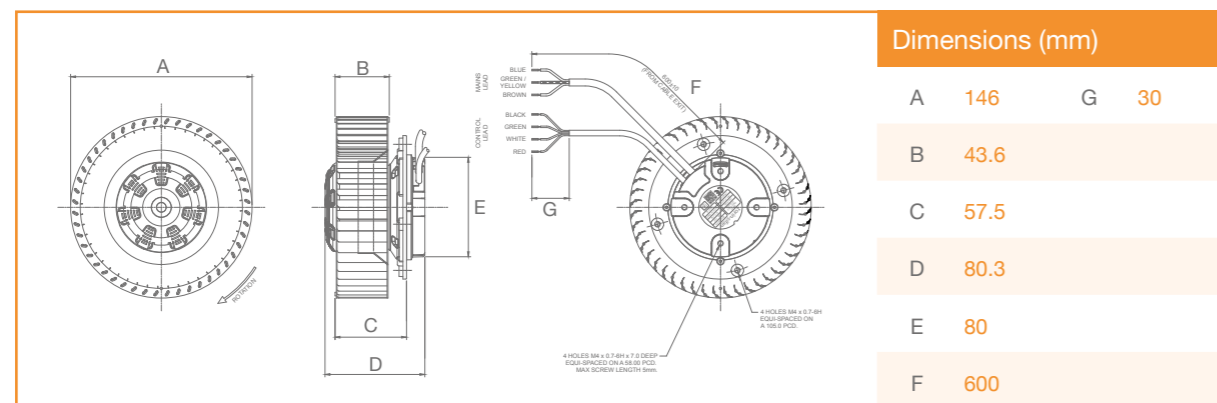
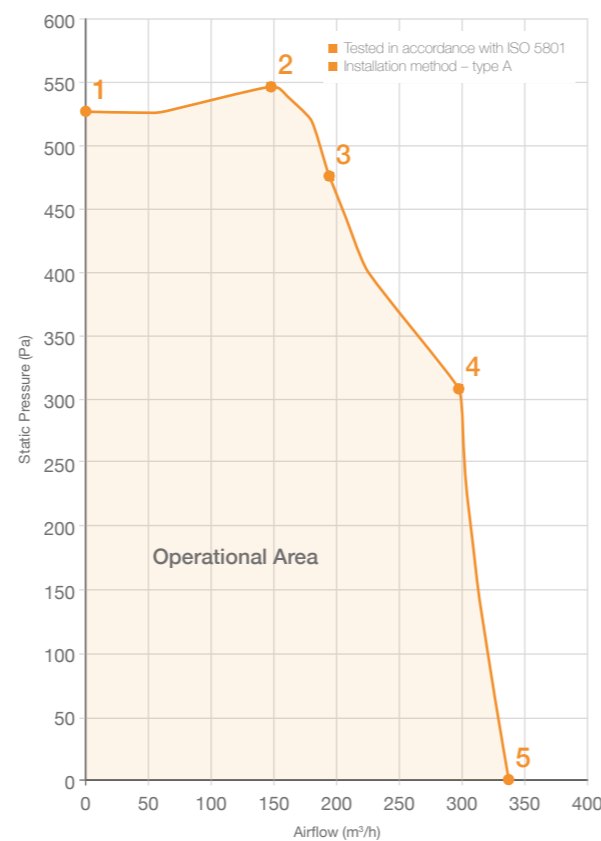




EC High Efficiency motorised impellers
Forward-curved 146 mm

Technical Data	
Supply Voltage (rms)	198 to 264 V
Max Airflow	337 m ³ /h
Max Current	0.8 A
Max Input Power	85 W
Max Speed	3000 rpm
ErP Efficiency Rating (FMEG)	56
IP Rating	54
Motor Insulation Class	B
Temperature Range	-20 °C to +60 °C
Weight	1.11 kg
Direction of Rotation	Clockwise
Number of Blades	48

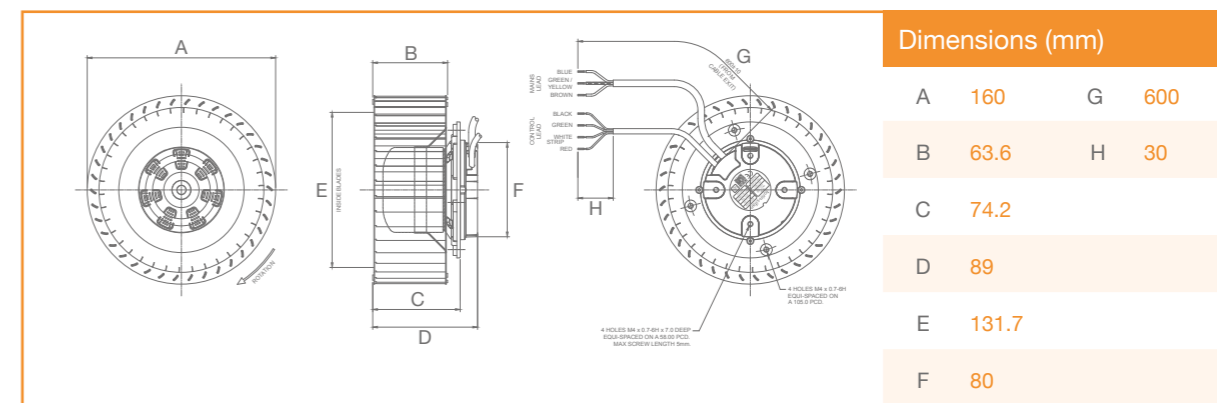
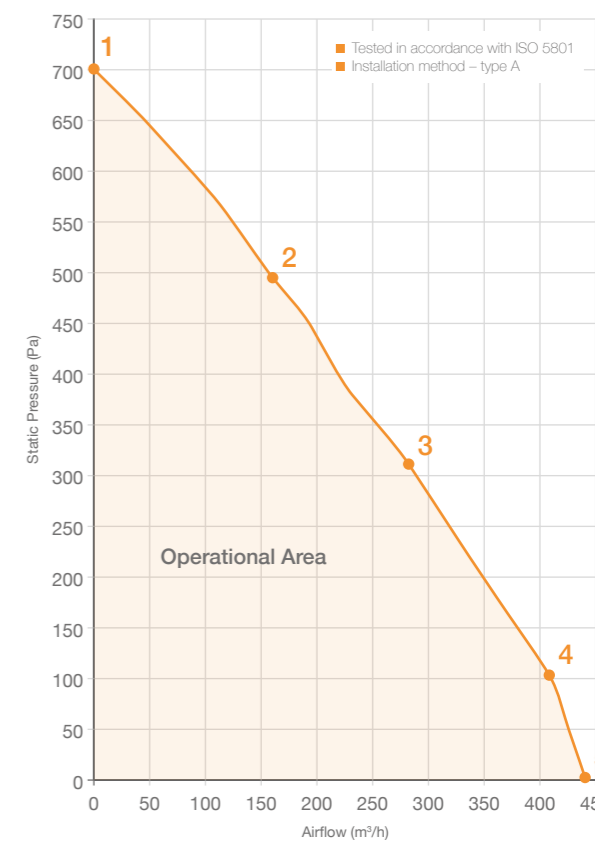
Performance Data					
Data point	Static Pressure (Pa)	Airflow (m ³ /h)	Current (A)	Speed (rpm)	Power (W)
1	527	0	0.47	3002	42
2	547	148	0.62	3008	62
3	476	194	0.72	2860	75
4	309	297	0.75	2439	78
5	0	337	0.79	2055	84



EC High Efficiency motorised impellers
Forward-curved 160 mm

Technical Data	
Supply Voltage (rms)	198 to 264 V
Max Airflow	442 m ³ /h
Max Current	0.8 A
Max Input Power	82 W
Max Speed	3000 rpm
ErP Efficiency Rating (FMEG)	54
IP Rating	54
Motor Insulation Class	B
Temperature Range	-20 °C to +50 °C
Weight	1.17 kg
Direction of Rotation	Clockwise
Number of Blades	38

Performance Data					
Data point	Static Pressure (Pa)	Airflow (m ³ /h)	Current (A)	Speed (rpm)	Power (W)
1	701	0	0.62	3000	65
2	495	160	0.64	2584	68
3	311	283	0.68	2097	73
4	103	408	0.74	1701	81
5	0	442	0.70	1501	76



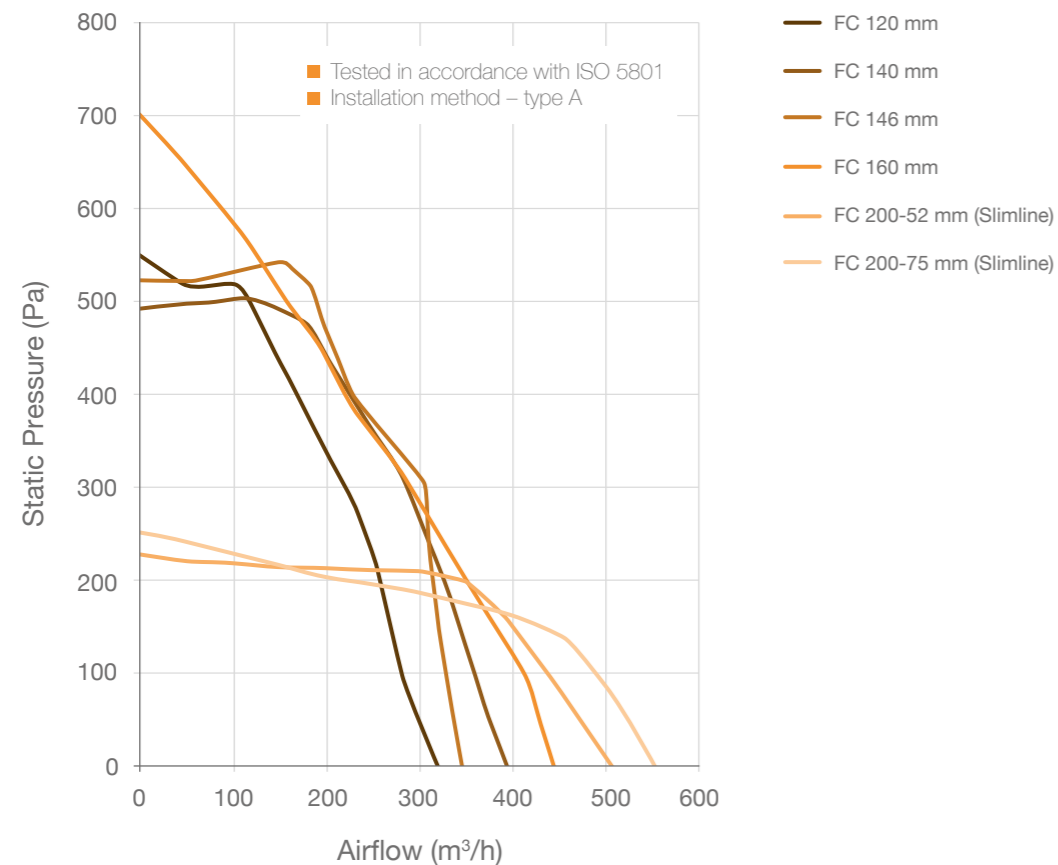
EC Single-Inlet Fans range summary



Technical Data						
Supply Voltage (rms)	198 to 264 V	198 to 264 V	198 to 264 V	198 to 264 V	198 to 264 V	198 to 264 V
Max Airflow	314 m³/h	390 m³/h	337 m³/h	442 m³/h	509 m³/h	552 m³/h
Max Current	0.6 A	0.81 A	0.8 A	0.8 A	0.69 A	0.63 A
Max Input Power	59 W	85 W	85 W	82 W	70 W	61 W
Max Speed	3600 rpm	3000 rpm	3000 rpm	3000 rpm	1400 rpm	1400 rpm
ErP Efficiency Rating (FMEG)*	56	52	56	54	55	55
IP Rating	54	54	54	54	54	54
Motor Insulation Class	B	B	B	B	B	B
Operational Ambient Temperature Range	-20 °C to +60 °C	-20 °C to +60 °C	-20 °C to +60 °C	-20 °C to +50 °C	-20 °C to +50 °C	-20 °C to +50 °C
Weight	1.6 kg	2.1 kg	2.2 kg	3.0 kg	4.25 kg	4.55 kg
Standard Direction of Rotation	Clockwise	Clockwise	Clockwise	Clockwise	Clockwise	Clockwise
Number of Blades	34	38	48	38	38	38

* All products listed are exempt from the scope of the ErP Legislation (Peak power <125 W).

Consolidated Graph – Centrifugal Single-Inlet Fans - Test Supply 230 V 50 Hz

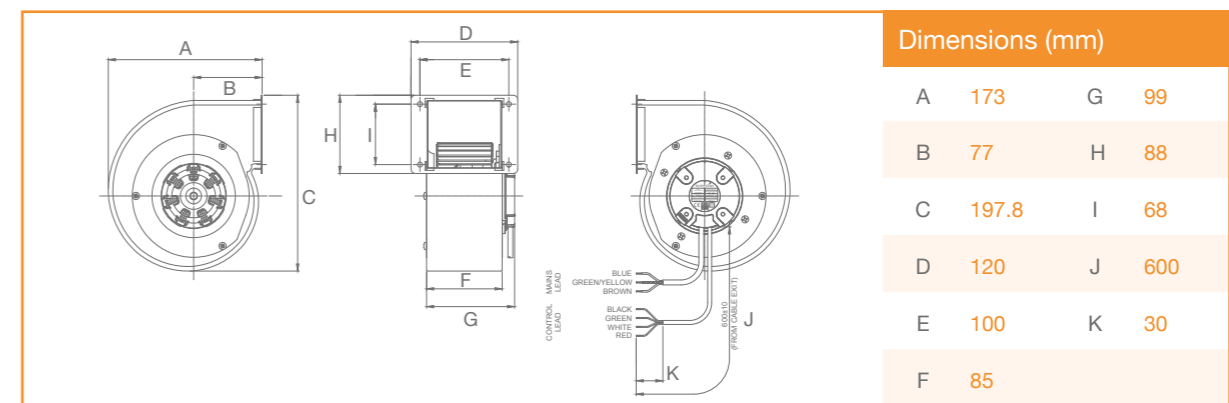
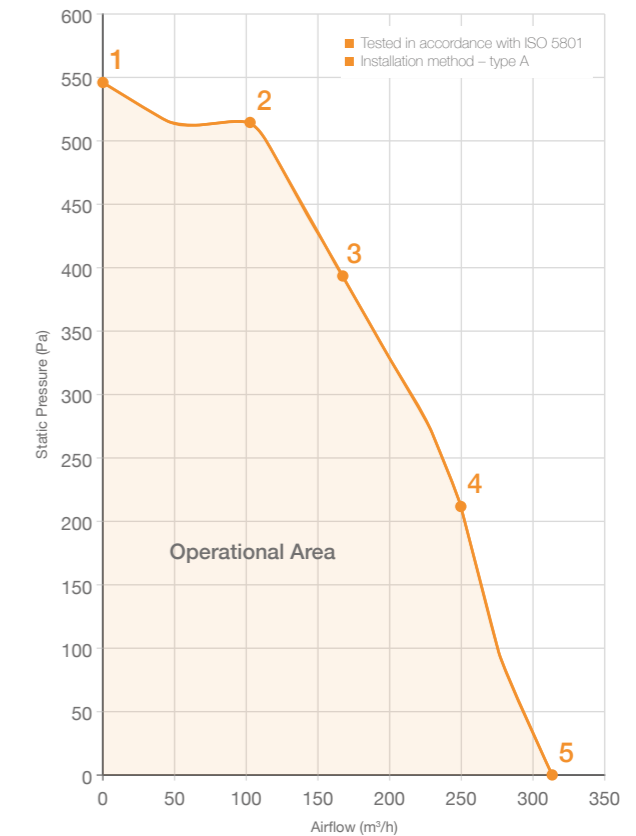


EC High Efficiency single-inlet fans

Forward-curved 120 mm

Technical Data	
Supply Voltage (rms)	198 to 264 V
Max Airflow	314 m³/h
Max Current	0.6 A
Max Input Power	59 W
Max Speed	3600 rpm
ErP Efficiency Rating (FMEG)	56
IP Rating	54
Motor Insulation Class	B
Temperature Range	-20 °C to +60 °C
Weight	1.6 kg
Direction of Rotation	Clockwise
Number of Blades	34

Performance Data					
Data point	Static Pressure (Pa)	Airflow (m³/h)	Current (A)	Speed (rpm)	Power (W)
1	546	0	0.39	3609	36
2	515	103	0.50	3605	50
3	394	168	0.52	3135	52
4	211	250	0.55	2557	55
5	0	314	0.58	2184	59

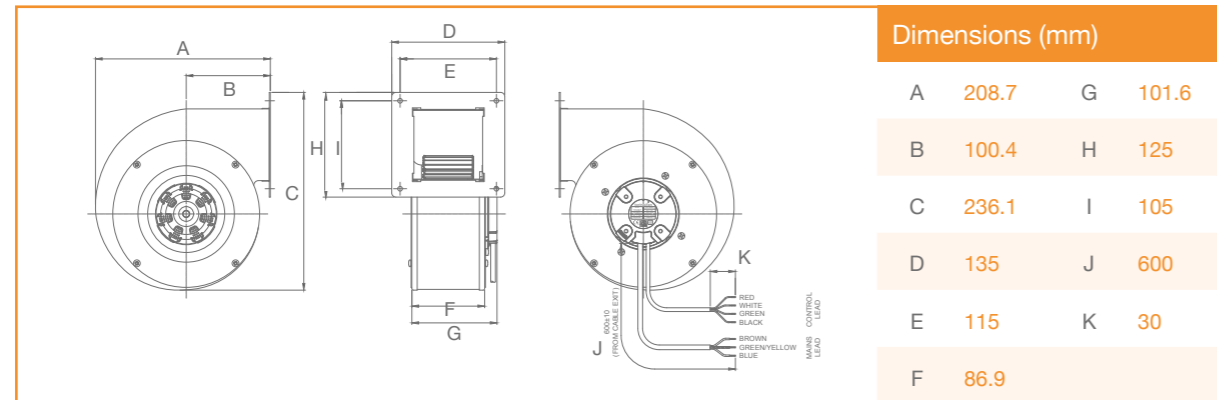
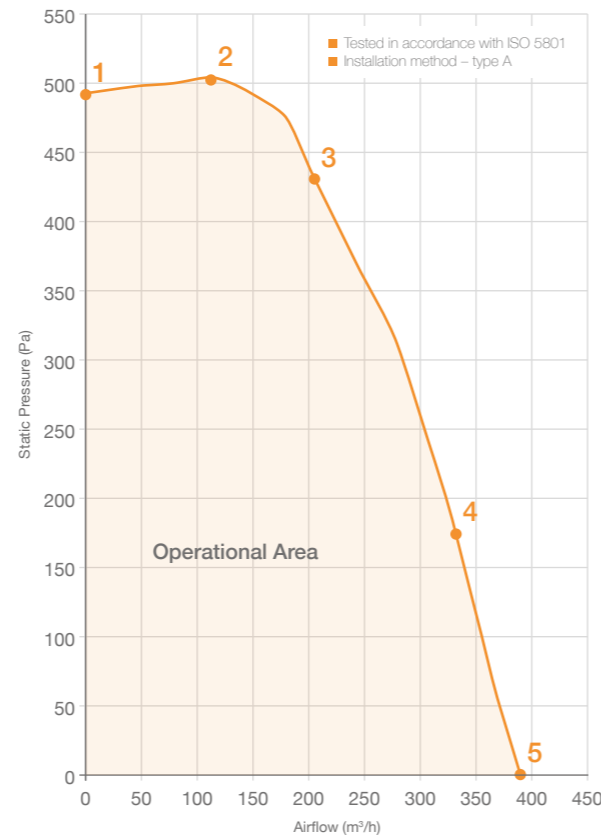




EC High Efficiency single-inlet fans
Forward-curved 140 mm

Technical Data	
Supply Voltage (rms)	198 to 264 V
Max Airflow	390 m ³ /h
Max Current	0.8 A
Max Input Power	85 W
Max Speed	3000 rpm
ErP Efficiency Rating (FMEG)	52
IP Rating	54
Motor Insulation Class	B
Temperature Range	-20 °C to +60 °C
Weight	2.1 kg
Direction of Rotation	Clockwise
Number of Blades	38

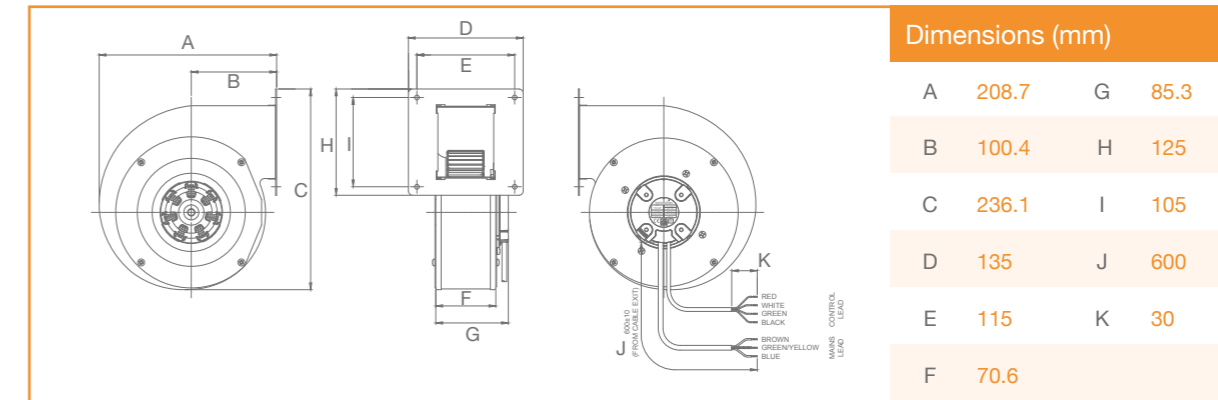
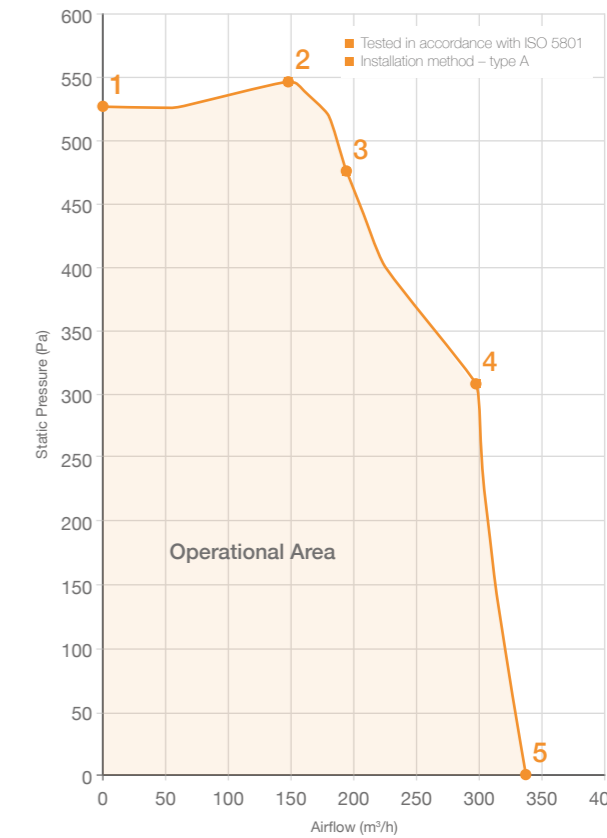
Performance Data					
Data point	Static Pressure (Pa)	Airflow (m ³ /h)	Current (A)	Speed (rpm)	Power (W)
1	491	0	0.43	3004	37
2	503	113	0.60	3003	58
3	431	206	0.74	2878	76
4	174	332	0.79	2321	82
5	0	390	0.81	2137	85

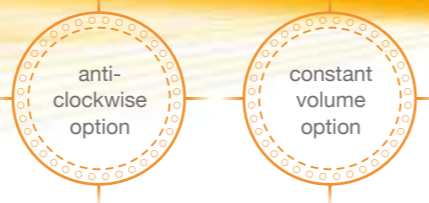


EC High Efficiency single-inlet fans
Forward-curved 146 mm

Technical Data	
Supply Voltage (rms)	198 to 264 V
Max Airflow	337 m ³ /h
Max Current	0.8 A
Max Input Power	85 W
Max Speed	3000 rpm
ErP Efficiency Rating (FMEG)	56
IP Rating	54
Motor Insulation Class	B
Temperature Range	-20 °C to +60 °C
Weight	2.2 kg
Direction of Rotation	Clockwise
Number of Blades	48

Performance Data					
Data point	Static Pressure (Pa)	Airflow (m ³ /h)	Current (A)	Speed (rpm)	Power (W)
1	527	0	0.47	3002	42
2	547	148	0.62	3008	62
3	476	194	0.72	2860	75
4	309	297	0.75	2439	78
5	0	337	0.79	2055	84



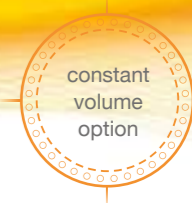
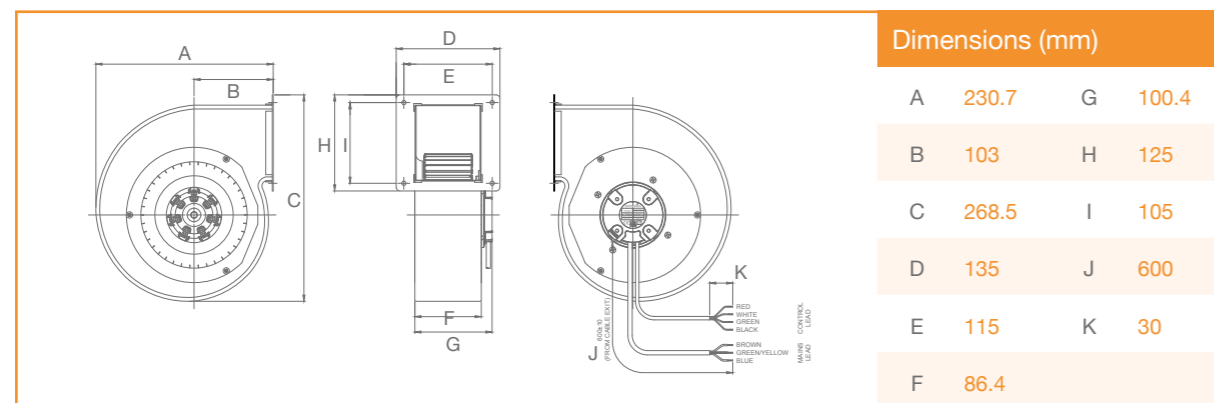
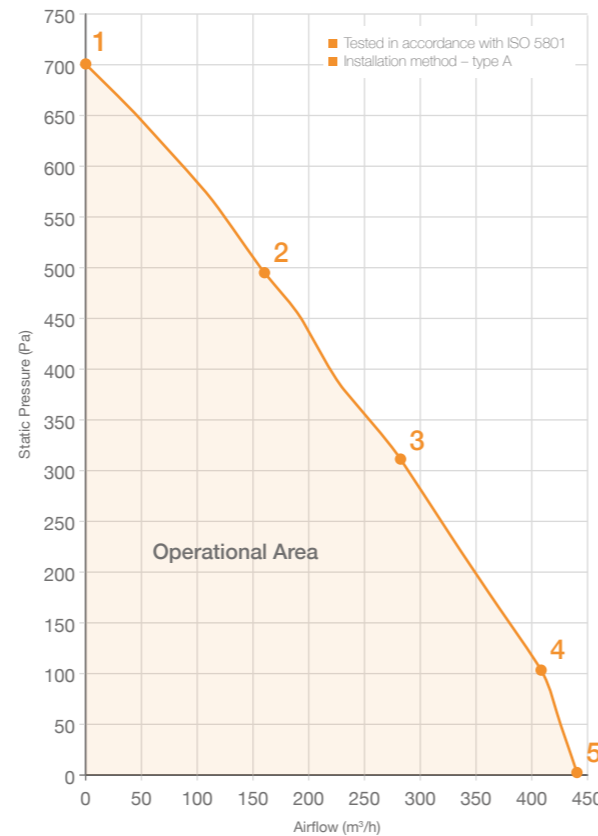


EC High Efficiency single-inlet fans

Forward-curved 160 mm

Technical Data	
Supply Voltage (rms)	198 to 264 V
Max Airflow	442 m ³ /h
Max Current	0.8 A
Max Input Power	82 W
Max Speed	3000 rpm
ErP Efficiency Rating (FMEG)	54
IP Rating	54
Motor Insulation Class	B
Temperature Range	-20 °C to +50 °C
Weight	3.0 kg
Direction of Rotation	Clockwise
Number of Blades	38

Performance Data					
Data point	Static Pressure (Pa)	Airflow (m ³ /h)	Current (A)	Speed (rpm)	Power (W)
1	701	0	0.62	3000	65
2	495	160	0.64	2584	68
3	311	283	0.68	2097	73
4	103	408	0.74	1701	81
5	0	442	0.70	1501	76

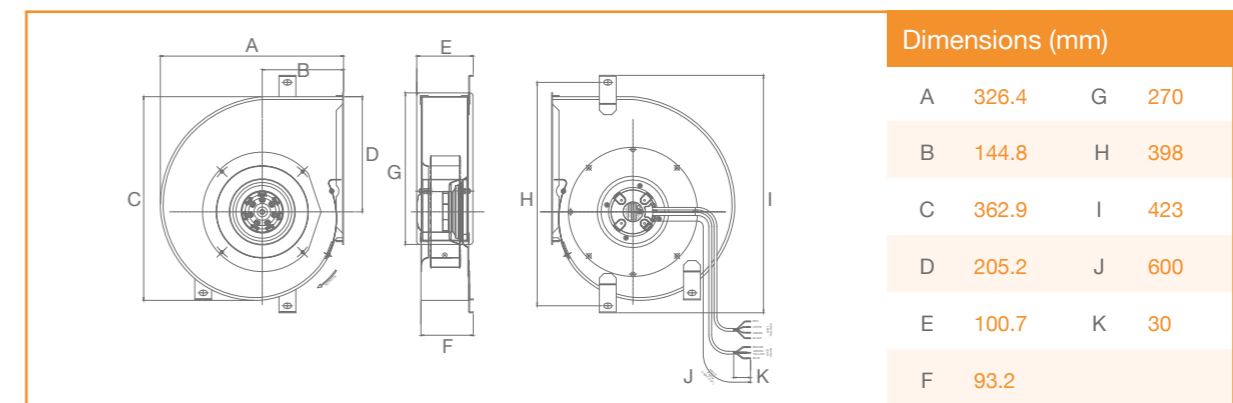
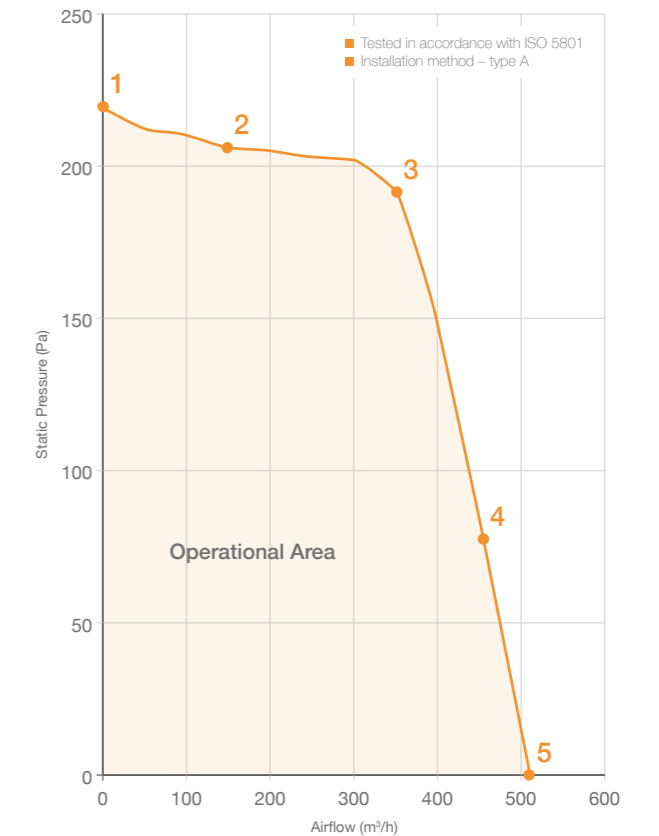


EC High Efficiency single-inlet fans

Forward-curved 200-52 mm (Slimline)

Technical Data	
Supply Voltage (rms)	198 to 264 V
Max Airflow	509 m ³ /h
Max Current	0.69 A
Max Input Power	70 W
Max Speed	1400 rpm
ErP Efficiency Rating (FMEG)	55
IP Rating	54
Motor Insulation Class	B
Temperature Range	-20 °C to +50 °C
Weight	4.25 kg
Direction of Rotation	Clockwise
Number of Blades	38

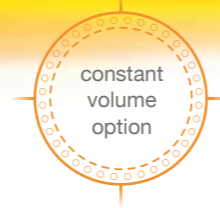
Performance Data					
Data point	Static Pressure (Pa)	Airflow (m ³ /h)	Current (A)	Speed (rpm)	Power (W)
1	219	0	0.21	1395	16
2	206	149	0.34	1354	27
3	192	351	0.60	1256	58
4	78	455	0.66	1055	66
5	0	509	0.69	976	69





EC High Efficiency single-inlet fans

Forward-curved 200-75 mm (Slimline)

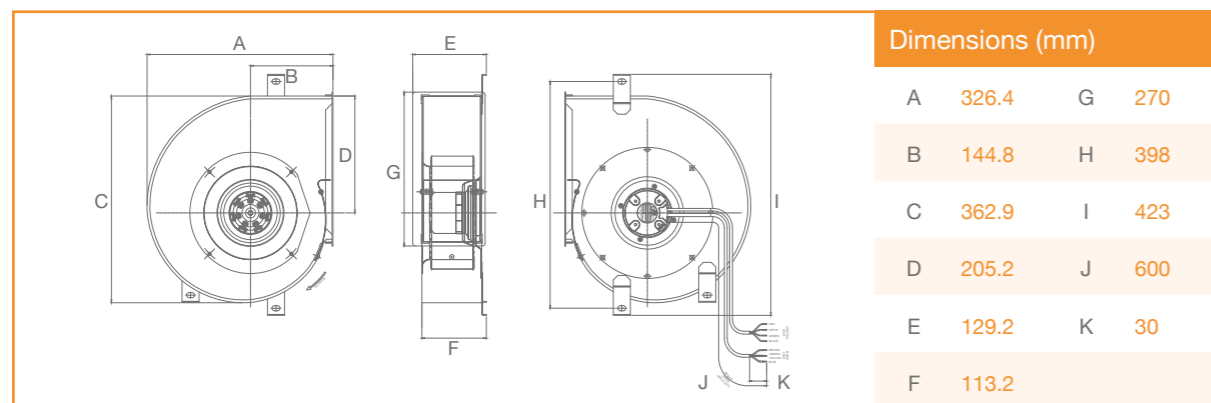
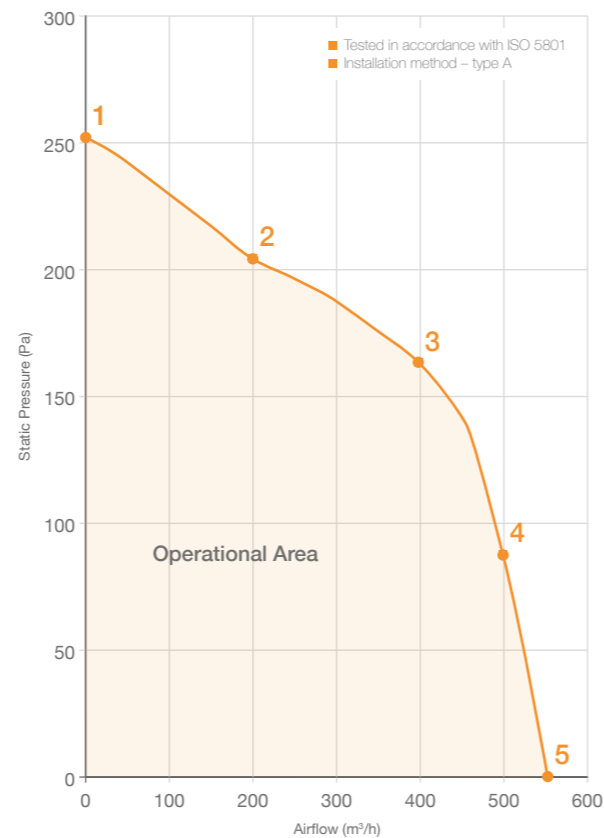


Technical Data

Supply Voltage (rms)	198 to 264 V
Max Airflow	552 m ³ /h
Max Current	0.63 A
Max Input Power	61 W
Max Speed	1400 rpm
ErP Efficiency Rating (FMEG)	59
IP Rating	54
Motor Insulation Class	B
Temperature Range	-20 °C to +50 °C
Weight	4.55 kg
Direction of Rotation	Clockwise
Number of Blades	38

Performance Data

Data point	Static Pressure (Pa)	Airflow (m ³ /h)	Current (A)	Speed (rpm)	Power (W)
1	252	0	0.26	1400	20
2	204	200	0.40	1293	33
3	163	398	0.57	1138	54
4	88	499	0.61	964	59
5	0	552	0.56	781	52



EC Double-Inlet Fans range summary



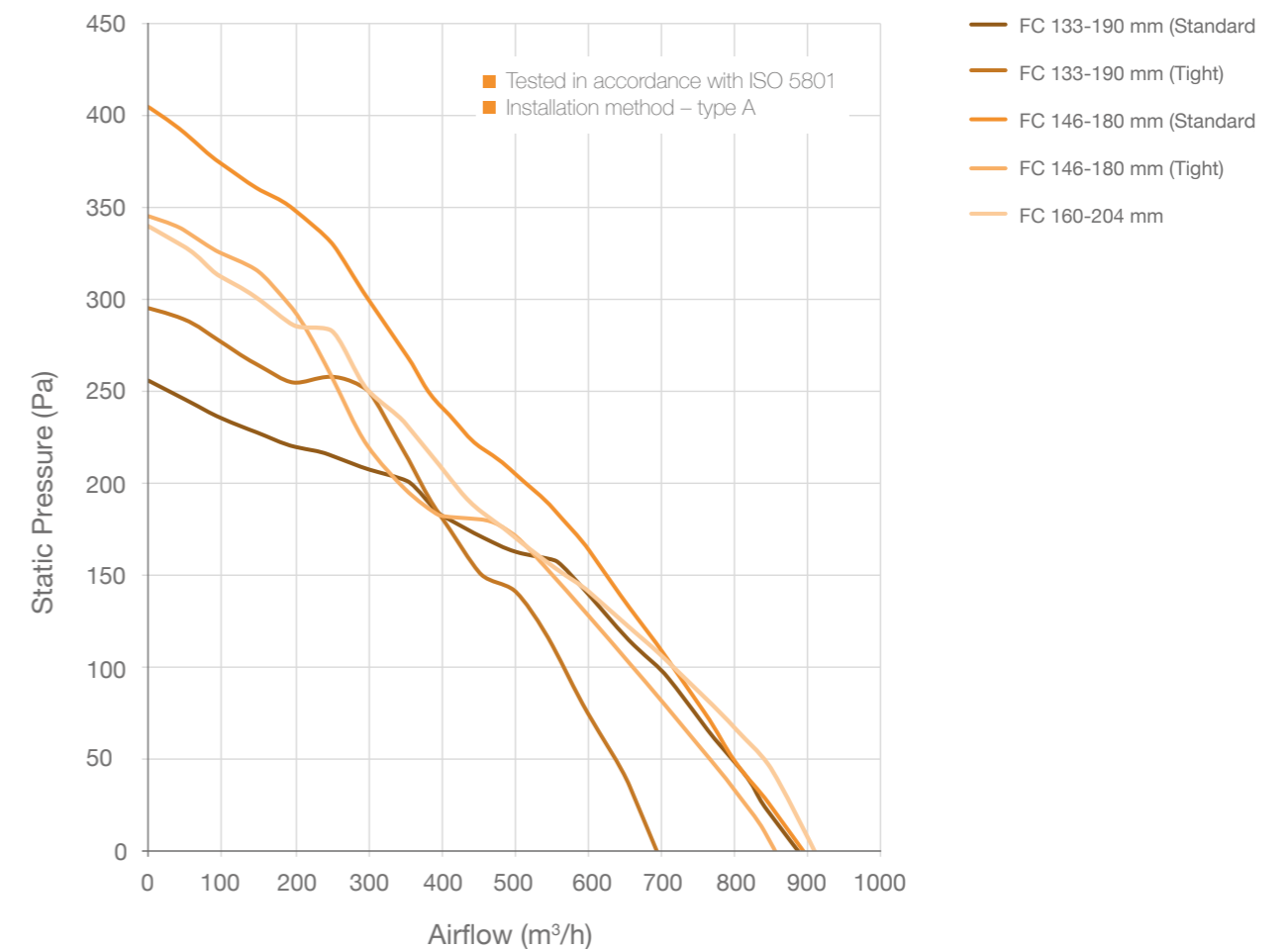
Forward-curved 133-190 mm (Standard)	Forward-curved 133-190 mm (Tight)	Forward-curved 146-180 mm (Standard)	Forward-curved 146-180 mm (Tight)	Forward-curved 160-204 mm
---	--------------------------------------	---	--------------------------------------	------------------------------

Technical Data

Supply Voltage (rms)	198 to 264 V	198 to 264 V	198 to 264 V	198 to 264 V	198 to 264 V
Max Airflow	882 m ³ /h	696 m ³ /h	896 m ³ /h	860 m ³ /h	912 m ³ /h
Max Current	0.82 A	0.8 A	0.85 A	0.8 A	0.86 A
Max Input Power	87 W	83 W	91 W	83 W	92 W
Max Speed	2150 rpm	2500 rpm	2450 rpm	2450 rpm	1950 rpm
ErP Efficiency Rating (FMEG)*	56	50	57	55	57
IP Rating	54	54	54	54	54
Motor Insulation Class	B	B	B	B	B
Operational Ambient Temperature Range	-20 °C to +50 °C	-20 °C to +50 °C	-20 °C to +50 °C	-20 °C to +50 °C	-20 °C to +50 °C
Weight	3.1 kg	2.8 kg	3.6 kg	3.4 kg	3.9 kg
Standard Direction of Rotation	Clockwise	Clockwise	Clockwise	Clockwise	Clockwise
Number of Blades	38	38	48	48	48

* All products listed are exempt from the scope of the ErP Legislation (Peak power <125 W).

Consolidated Graph - Centrifugal Double-Inlet Fans - Test Supply 230 V 50 Hz

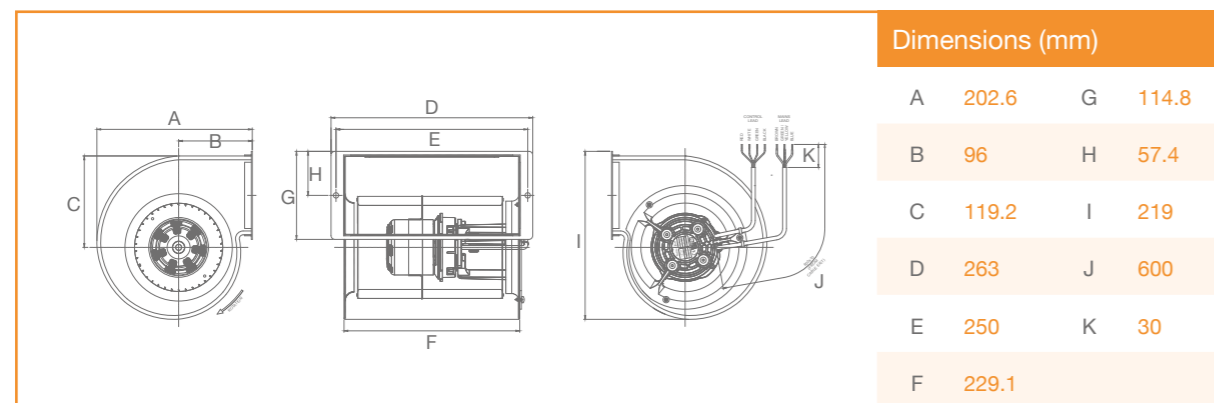
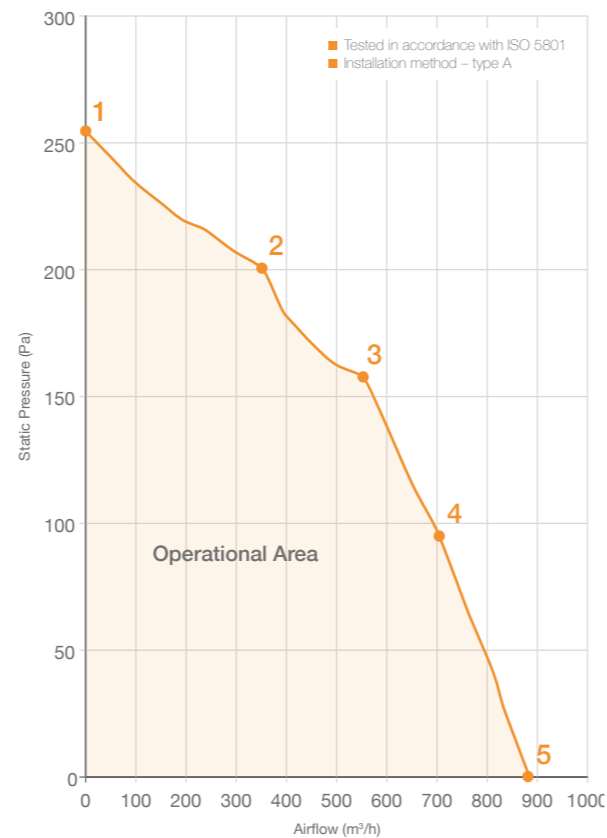




EC High Efficiency double-inlet fans
Forward-curved 133-190 mm (Standard)

Technical Data	
Supply Voltage (rms)	198 to 264 V
Max Airflow	882 m ³ /h
Max Current	0.82 A
Max Input Power	87 W
Max Speed	2150 rpm
ErP Efficiency Rating (FMEG)	56
IP Rating	54
Motor Insulation Class	B
Temperature Range	-20 °C to +50 °C
Weight	3.1 kg
Direction of Rotation	Clockwise
Number of Blades	38

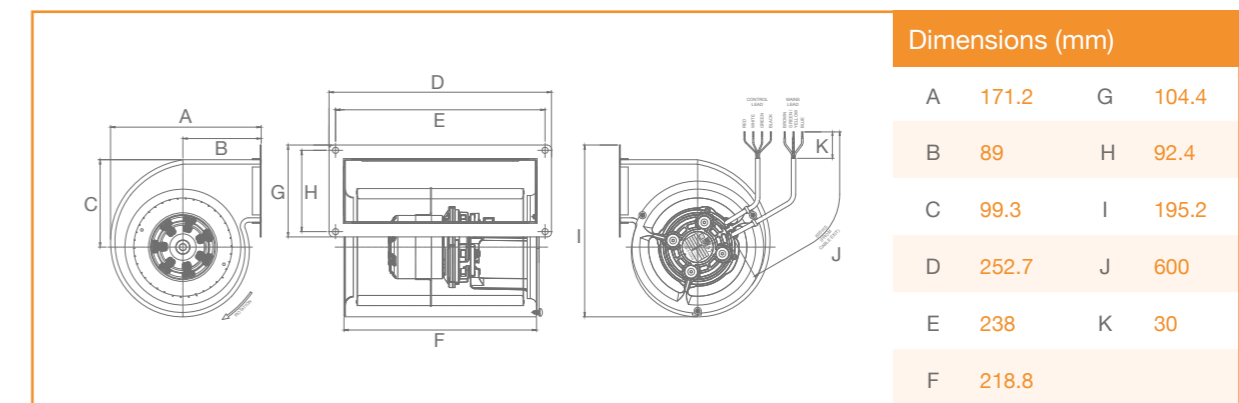
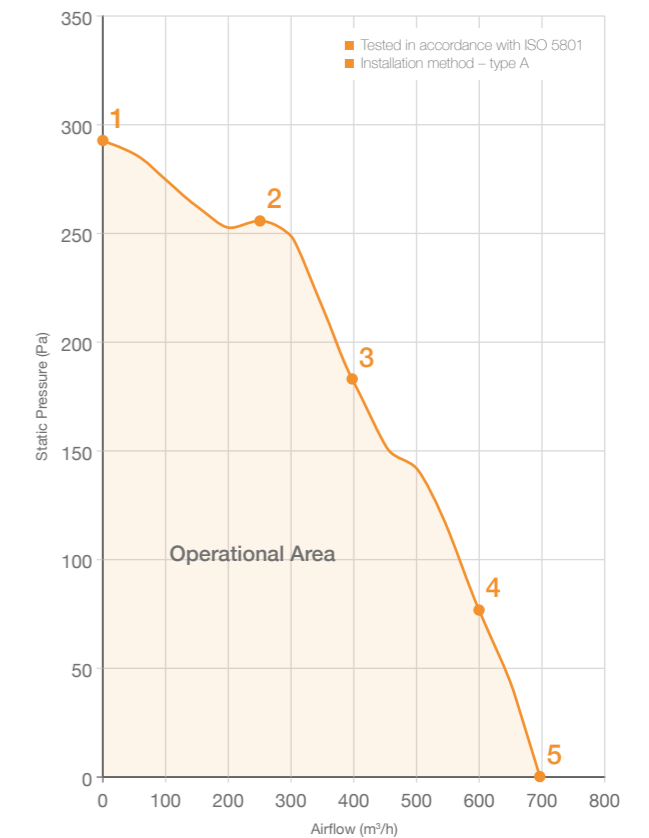
Performance Data					
Data point	Static Pressure (Pa)	Airflow (m ³ /h)	Current (A)	Speed (rpm)	Power (W)
1	255	0	0.41	2102	35
2	201	351	0.57	1939	54
3	158	551	0.71	1780	72
4	95	706	0.76	1550	79
5	0	882	0.82	1282	87



EC High Efficiency double-inlet fans
Forward-curved 133-190 mm (Tight)

Technical Data	
Supply Voltage (rms)	198 to 264 V
Max Airflow	696 m ³ /h
Max Current	0.8 A
Max Input Power	83 W
Max Speed	2500 rpm
ErP Efficiency Rating (FMEG)	50
IP Rating	54
Motor Insulation Class	B
Temperature Range	-20 °C to +50 °C
Weight	2.8 kg
Direction of Rotation	Clockwise
Number of Blades	38

Performance Data					
Data point	Static Pressure (Pa)	Airflow (m ³ /h)	Current (A)	Speed (rpm)	Power (W)
1	293	0	0.40	2500	33
2	256	251	0.60	2419	58
3	183	398	0.71	2108	72
4	77	601	0.76	1685	78
5	0	696	0.79	1464	83

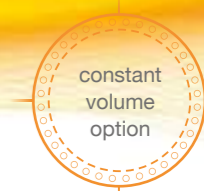
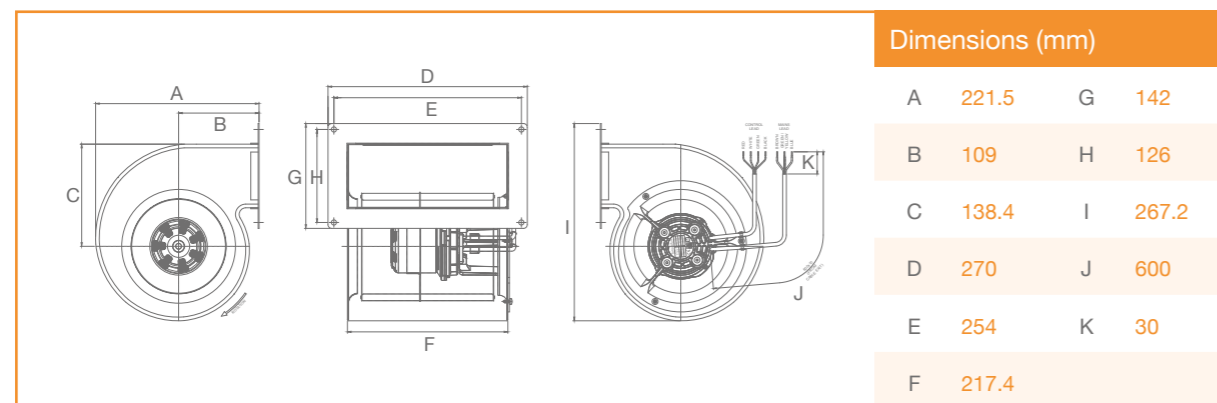
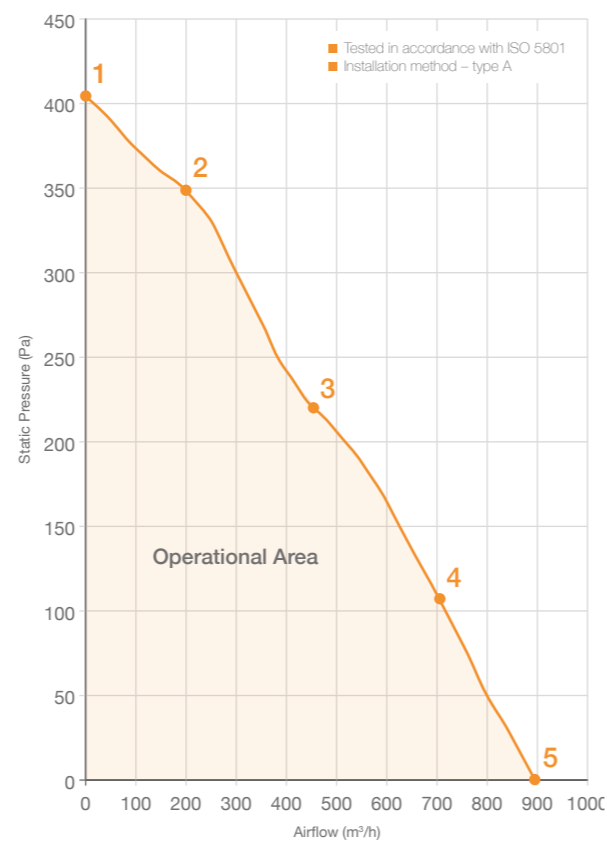




EC High Efficiency double-inlet fans
Forward-curved 146-180 mm (Standard)

Technical Data	
Supply Voltage (rms)	198 to 264 V
Max Airflow	896 m ³ /h
Max Current	0.85 A
Max Input Power	91 W
Max Speed	2450 rpm
ErP Efficiency Rating (FMEG)	57
IP Rating	54
Motor Insulation Class	B
Temperature Range	-20 °C to +50 °C
Weight	3.6 kg
Direction of Rotation	Clockwise
Number of Blades	48

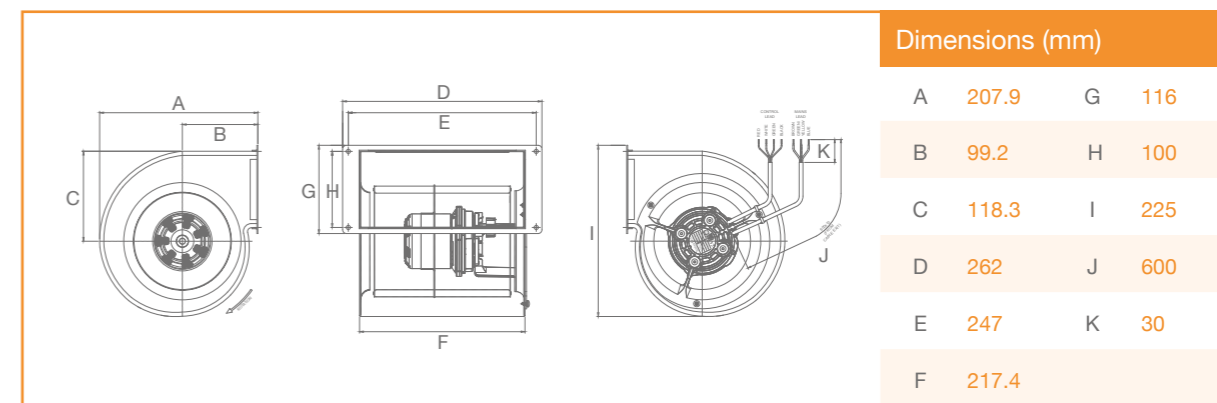
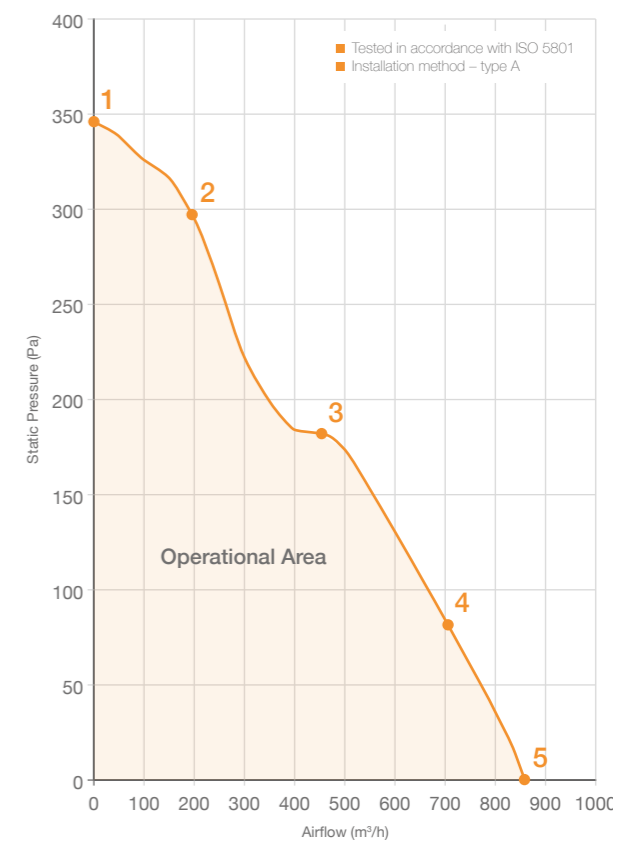
Performance Data					
Data point	Static Pressure (Pa)	Airflow (m ³ /h)	Current (A)	Speed (rpm)	Power (W)
1	404	0	0.59	2434	56
2	349	199	0.68	2370	69
3	220	454	0.73	1843	74
4	107	706	0.78	1467	82
5	0	896	0.85	1219	91



EC High Efficiency double-inlet fans
Forward-curved 146-180 mm (Tight)

Technical Data	
Supply Voltage (rms)	198 to 264 V
Max Airflow	860 m ³ /h
Max Current	0.8 A
Max Input Power	83 W
Max Speed	2450 rpm
ErP Efficiency Rating (FMEG)	55
IP Rating	54
Motor Insulation Class	B
Temperature Range	-20 °C to +50 °C
Weight	3.4 kg
Direction of Rotation	Clockwise
Number of Blades	48

Performance Data					
Data point	Static Pressure (Pa)	Airflow (m ³ /h)	Current (A)	Speed (rpm)	Power (W)
1	346	0	0.55	2450	52
2	296	200	0.63	2274	62
3	182	454	0.67	1750	67
4	81	706	0.73	1364	75
5	0	860	0.79	1145	83





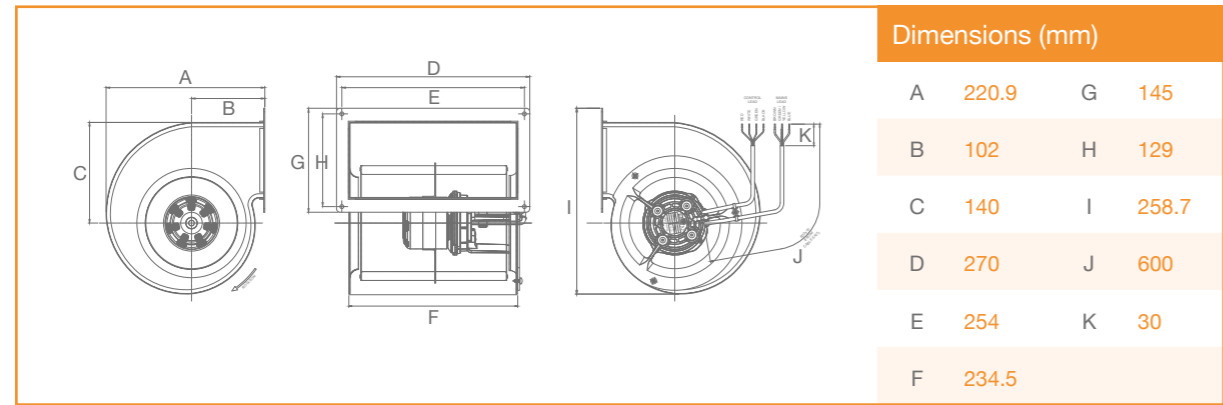
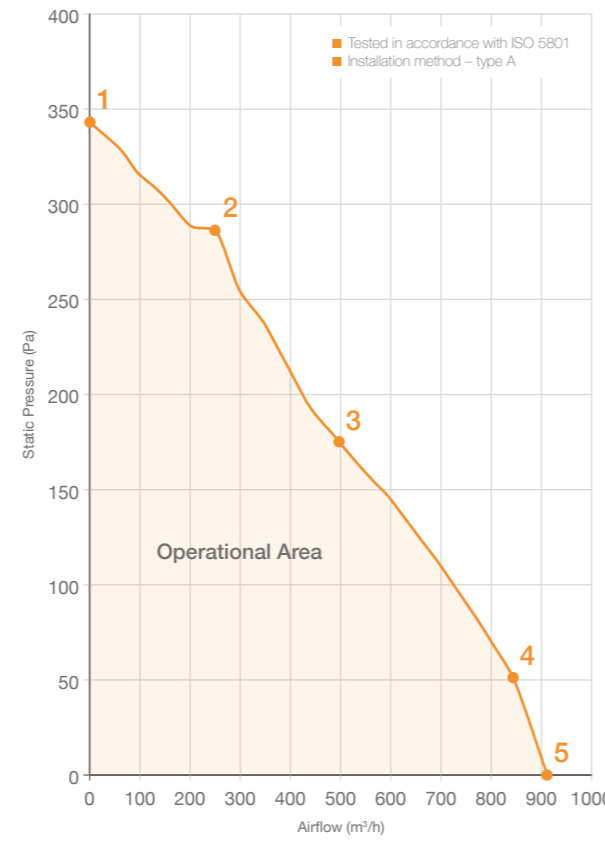
EC High Efficiency double-inlet fans

Forward-curved 160-204 mm

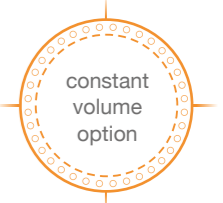


Technical Data	
Supply Voltage (rms)	198 to 264 V
Max Airflow	912 m ³ /h
Max Current	0.86 A
Max Input Power	92 W
Max Speed	1950 rpm
ErP Efficiency Rating (FMEG)	57
IP Rating	54
Motor Insulation Class	B
Temperature Range	-20 °C to +50 °C
Weight	3.9 kg
Direction of Rotation	Clockwise
Number of Blades	48

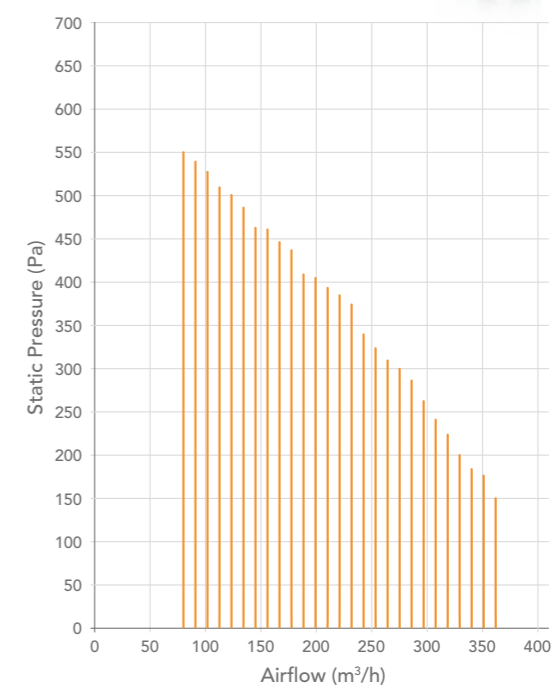
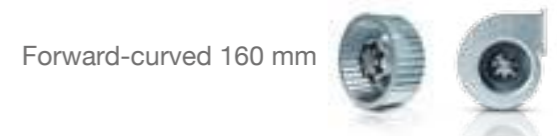
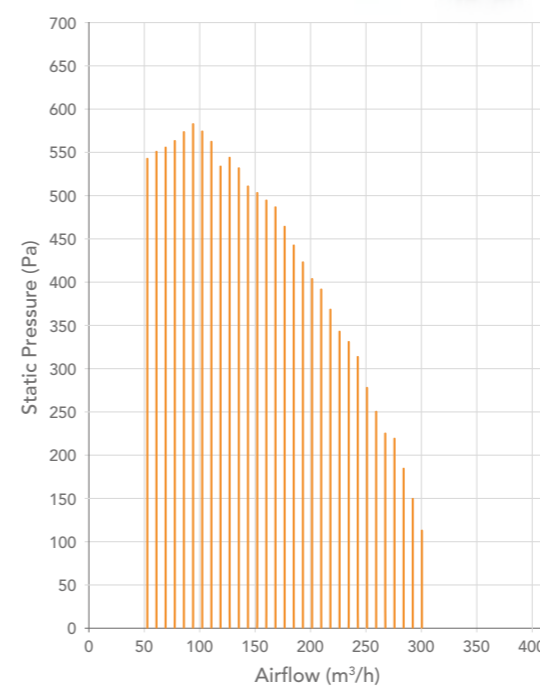
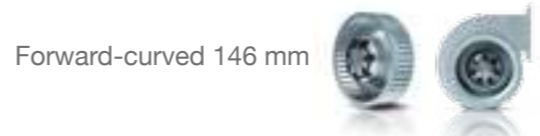
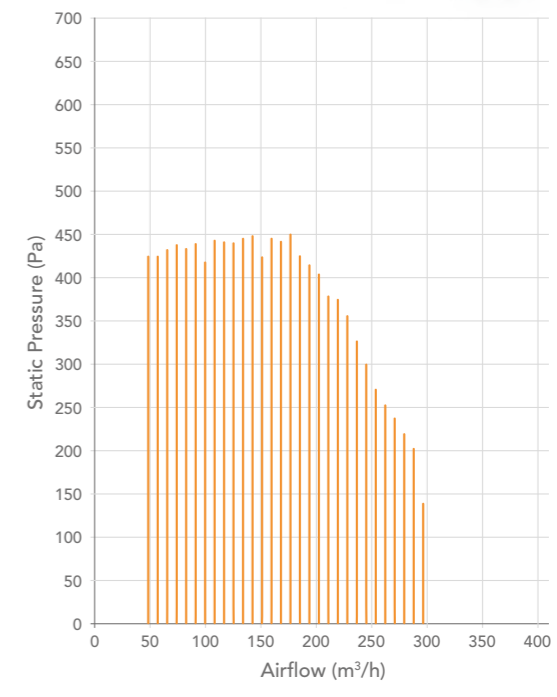
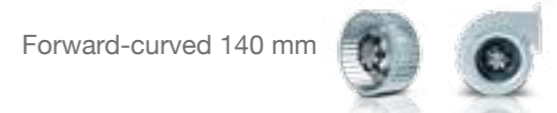
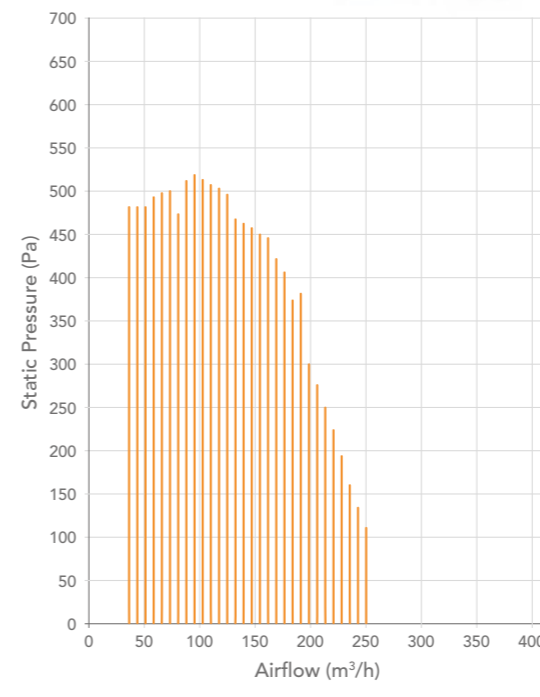
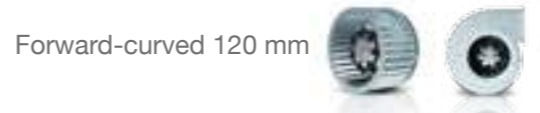
Performance Data					
Data point	Static Pressure (Pa)	Airflow (m ³ /h)	Current (A)	Speed (rpm)	Power (W)
1	343	0	0.58	1940	56
2	286	251	0.67	1880	68
3	175	500	0.73	1533	75
4	51	844	0.85	1158	92
5	0	912	0.82	1023	87



EC Constant Volume single-inlet fans



Programmable, constant volume capability is available as an option for the forward-curved range of motorised impellers and fans.



For further constant volume information, contact Torin-Sifan: sales@torin-sifan.com or tel: 0044 (0) 1793 524 291



torin-sifan

The Partner of Choice

UK Headquarters	EC Manufacturing &
Drakes Way	Technology Centre
Greenbridge	Pagoda Park
Swindon	Swindon
Wiltshire	Wiltshire
United Kingdom	United Kingdom
SN3 3JB	SN5 7UN

Tel: 0044 (0) 1793 524 291

Fax: 0044 (0) 1793 486 570

Email: sales@torin-sifan.com

www.torin-sifan.com